

# UNIBOX Series

## Surface mounting enclosures

1 PLUGS AND SOCKETS

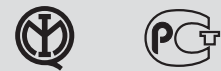
### ENCLOSURE FOR WIRING ACCESSORIES

### REFERENCE STANDARDS



**EN 60670-1**  
Boxes and enclosures for electrical accessories for household and similar fixed electrical installations.  
*Part 1: general requirements.*

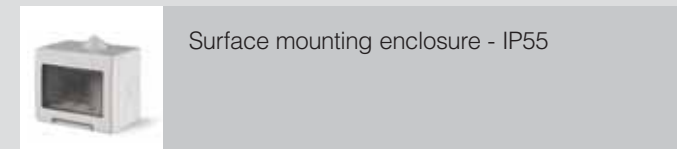
### QUALITY MARKS



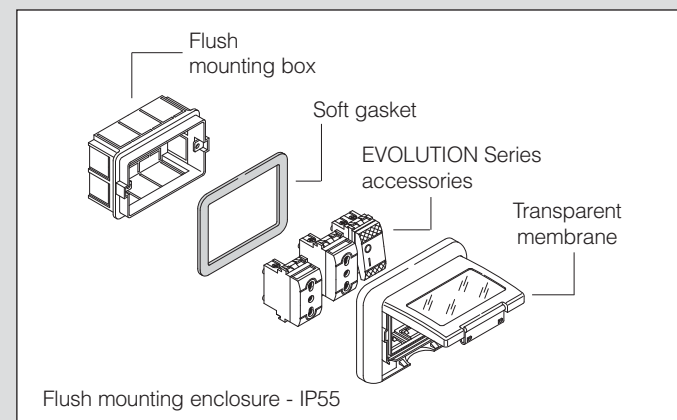
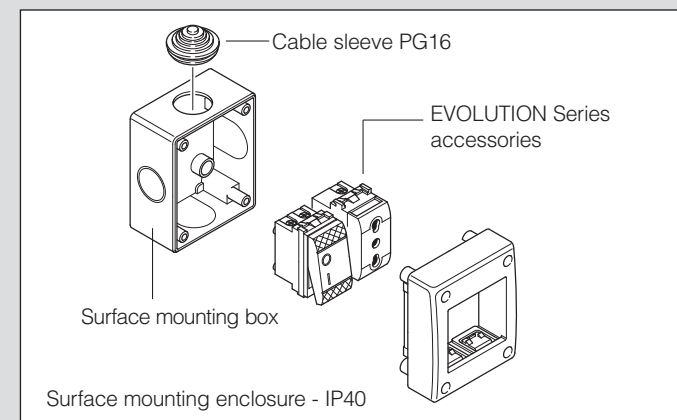
### TECHNICAL CHARACTERISTICS

Protection degree:	<b>IP40-IP55</b>
Operating temperature according to the reference standard:	<b>-5°C +35°C</b>
Max. operating temperature:	<b>60°C</b>
Glow Wire test:	<b>650°C</b>
Material:	<b>Engineering plastic</b>
IK degree at 20°C:	<b>IK06</b>
Colour:	<b>Grey RAL 7035 Anthracite RAL 7021 (flush mounting version)</b>

### VERSIONS




### EXAMPLES OF INSTALLATION




### BEHAVIOUR WITH CHEMICAL AND ATMOSPHERIC AGENTS

Saline solution	Acids		Bases		Solvents				Mineral oil	UV rays
	Concentrated	Diluted	Concentrated	Diluted	Hexane	Benzol	Acetone	Alcohol		
Resistant	Limited Resistance	Resistant	Limited Resistance	Resistant	Not Resistant	Not Resistant	Not Resistant	Limited Resistance	Resistant	Resistant


### SURFACE MOUNTING ASSEMBLED UNITS - IP55



Gang	Description	⊕	
1 gang	1 x 1P switch	(●)	32
	1 x two-way switch	(●)	32
	1 x bell push	(●)	32



Gang	Description	⊕	
2 gang	1 x 15A British socket without switch	(●)	32



Gang	Description	⊕	
3 gang	3 x 1P switch	(●)	24
	1 x 6/16A Indian socket		24
	1 x 13A British socket with switch	(●)	24
	1 x 15A British socket with switch		24

### DIMENSIONS

**SURFACE MOUNTING ENCLOSURE - IP55**

	136.5121	136.5122	136.5123	136.5124	136.5126
A	1 modules	2 modules	3 modules	4 (2+2) modules	6 (3+3) modules
B	68	68	98	137	198
C	82	82	82	82	82
D	40	40	66	104	164.7
E	40	40	40	40	40
F	N°4 Ø23	N°4 Ø23	N°4 Ø23	N°11 Ø23	N°11 Ø23

(Dimensions in mm)