

DOMESTIC INTERLOCKED SOCKET



REFERENCE STANDARDS

IEC 60884-2-6
Plugs and socket-outlets for household and similar purposes.
Part 2-6: Particular requirements for switched socket-outlets with interlock for fixed electrical installations.

VERSIONS

	Without protection
	With fuse
	MCB
	RCBO

TECHNICAL CHARACTERISTICS

Rated current:	10A-13A-16A
Rated voltage:	250 Vac
Frequency:	50 Hz
Insulating voltage:	250 Vac
Fuse:	10A - 250V~
MCB:	16A - 1P+N, C16, 3kA 10A - 1P+N, C10, 3kA
RCBO:	16A - 1P+N, C16, 10mA, 3kA 10A - 1P+N, C10, 10mA, 3kA
Protection degree:	IP56
Operating temperature according to the reference standard:	-15°C +35°C
Maximum operating temperature:	60°C
Glow Wire test:	650°C/850°C (Contact-holder base)
Material:	Engineering plastic
IK Degree at 20°C:	IK08
Colour:	BASE: Grey RAL 7035 COVER: smoke-tinted transparent
Torque terminal screws:	1,3 Nm

BEHAVIOUR WITH CHEMICAL AND ATMOSPHERIC AGENTS

Saline solution	Acids		Bases		Solvents				Mineral oil	UV rays
	Concentrated	Diluted	Concentrated	Diluted	Hexane	Benzol	Acetone	Alcohol		
Resistant	Limited Resistance	Resistant	Resistant	Resistant	Not Resistant	Not Resistant	Not Resistant	Limited Resistance	Resistant	Resistant

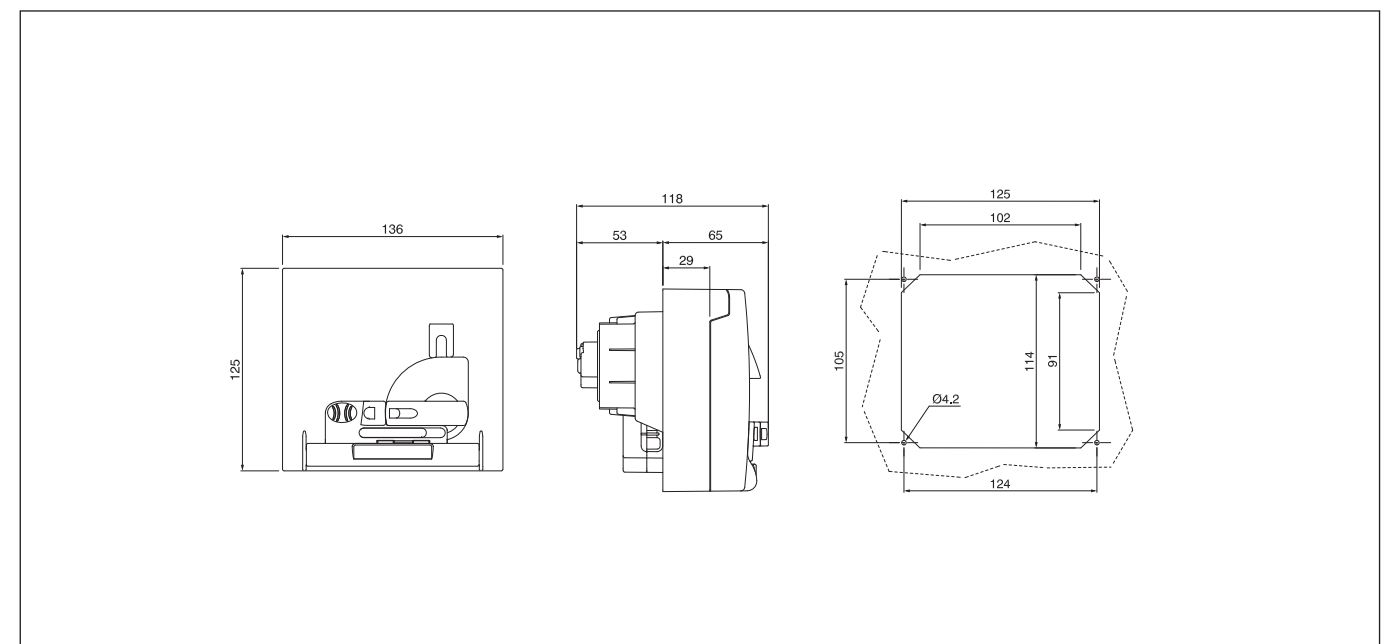
DOMESTIC INTERLOCKED SOCKETS



Standard		136x125 WITHOUT PROTECTION	136x125 FUSE 6.3X32	136x125 MCB	136x125 RCBO
Indian Standard	6/16A 2P+E	409.0429	409.1429	409.2429	409.3429



DIMENSIONS



(Dimensions in mm)