

DOMOPLUS Series

Plugs and sockets for industrial applications

1
2
3
PLUGS AND SOCKETS

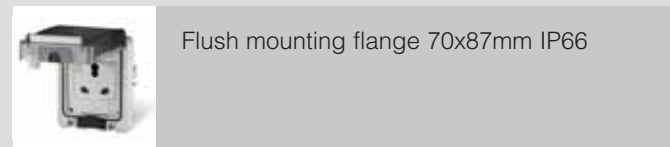
DOMESTIC STANDARD SOCKETS FOR INDUSTRIAL APPLICATIONS



REFERENCE STANDARDS

EN 60670-1 (2005-10)
Boxes and enclosures for electrical accessories for household and similar fixed electrical installations.
Part 1: general requirements.

VERSIONS



TECHNICAL CHARACTERISTICS

Rated current:	6A-10A-13A-15A-16A
Rated voltage:	250V~
Frequency:	50Hz
Insulating voltage:	250V~
Protection degree:	IP66 (also with plug inserted)
Operating temperature:	-5°C +60°C
Installation temperature:	-20°C +60°C
Glow Wire test:	650°C / 850°C (Contact-holder base)
Halogen free:	Yes
Material:	Engineering plastic
IK degree at 20°C:	IK08
Colour:	Base: Gray RAL 7035 Cover: tinted polycarbonate

CABLING CAPACITY OF THE TERMINAL

Rated voltage	Rated current (A)	Sockets	
		Min	Max
250V~	10A	0,75	2,5
	13A	2,5	6
	15A	2,5	6
	16A	1	2,5

(mmq)

BEHAVIOUR WITH CHEMICAL AND ATMOSPHERIC AGENTS

Saline solution	Acids		Bases		Solvents				Mineral oil	UV rays
	Concentrated	Diluted	Concentrated	Diluted	Hexane	Benzol	Acetone	Alcohol		
Resistant	Limited Resistance	Resistant	Limited Resistance	Resistant	Resistant	Not Resistant	Not Resistant	Resistant	Limited Resistance	Resistant

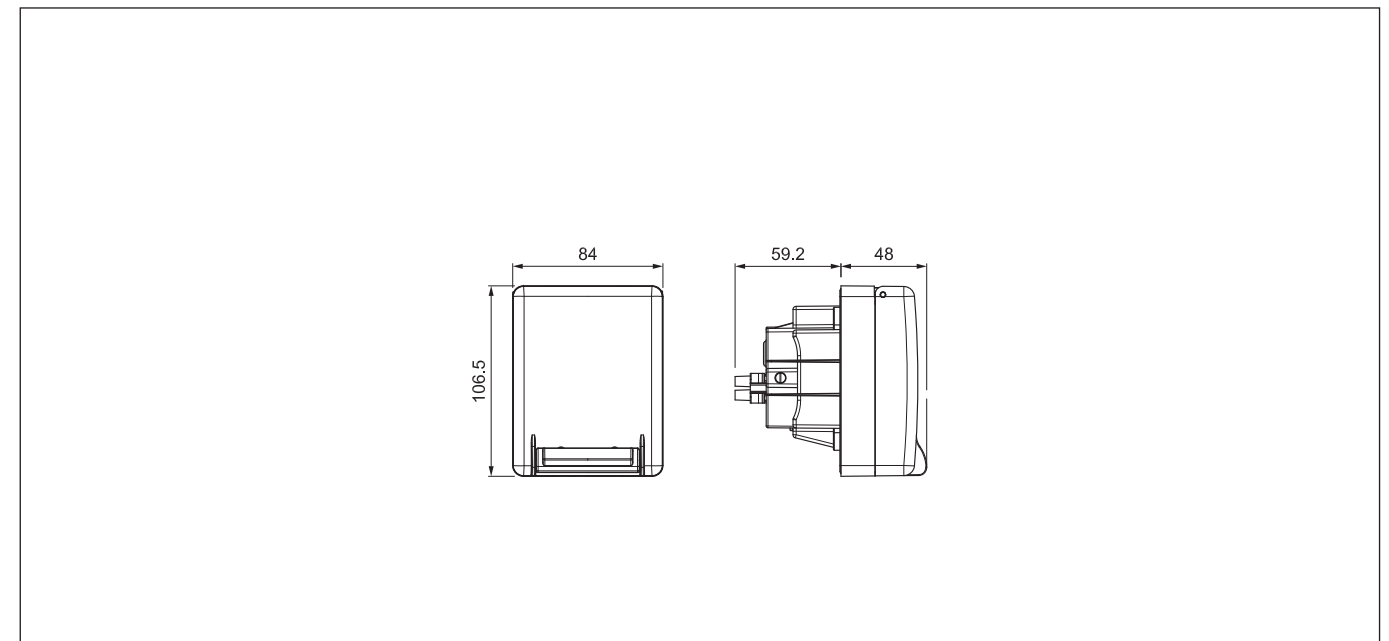
DOMESTIC STANDARD SOCKETS FOR INDUSTRIAL APPLICATION



Standard	Description	70x87
Indian Standard	6/16A 2P+E	570.6429



DIMENSIONS



(Dimensions in mm)