

JUNCTION BOXES FOR ELECTRICAL INSTALLATIONS






REFERENCE STANDARDS

EN 60670-1
Boxes and enclosures for electrical accessories for household and similar fixed electrical installations.
Part 1: general requirements.

EN 60670-22
Boxes and enclosures for electrical accessories for household and similar fixed electrical installations.
Part 22: particular requirements for connecting boxes and enclosures.

VERSIONS

-  - With cable sleeve and release cover
-  - With cable sleeve and 1/4 turn screw cover
-  - With blank sides and 1/4 turn screw cover

TECHNICAL CHARACTERISTICS

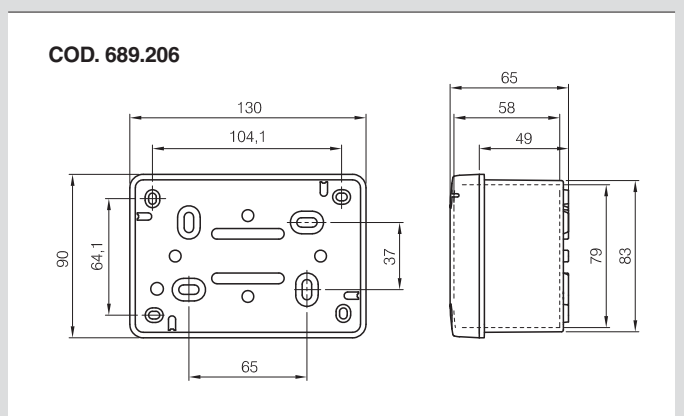
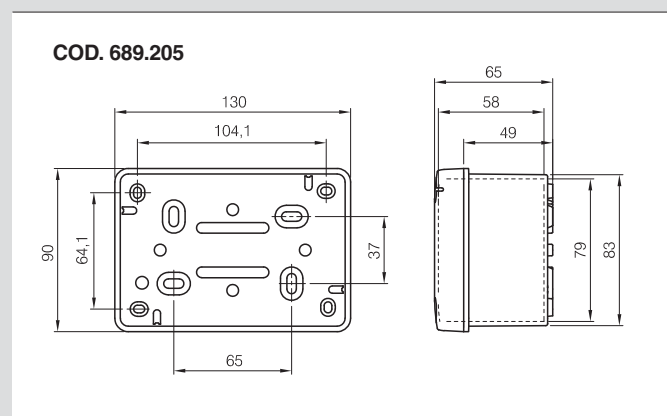
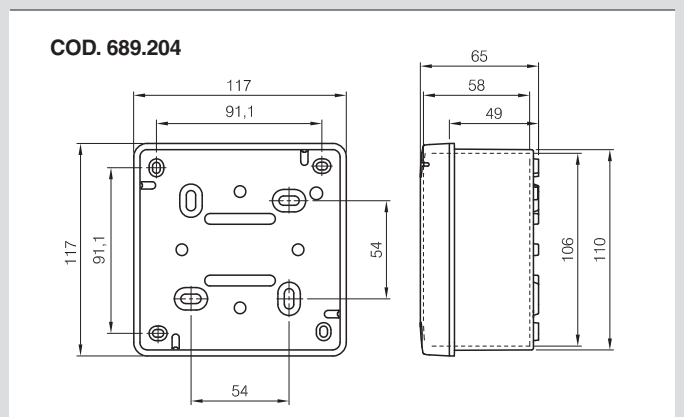
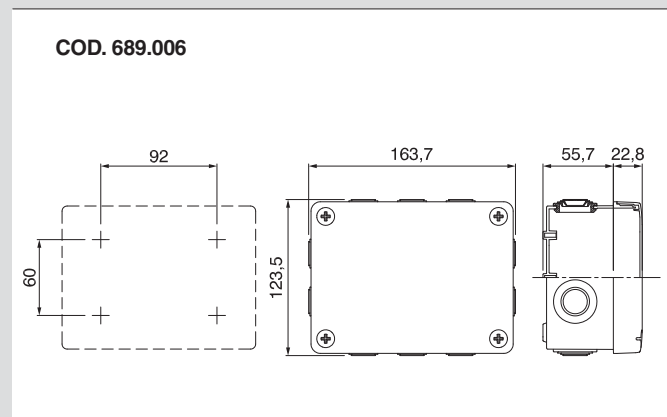
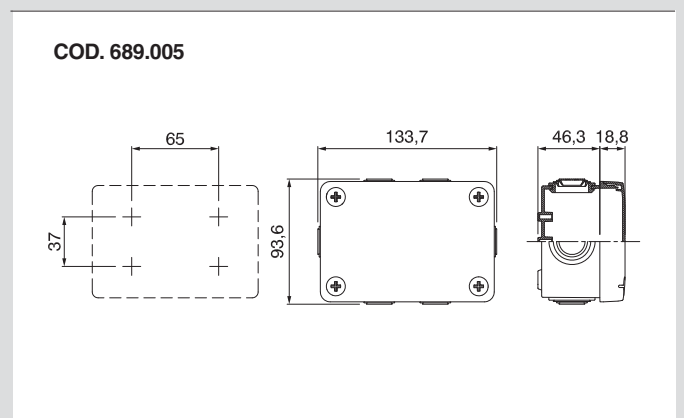
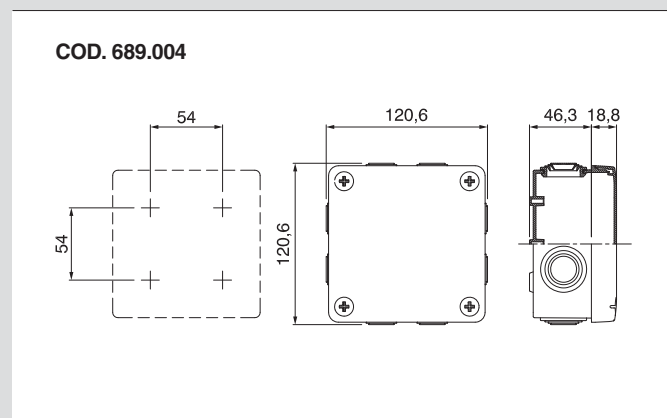
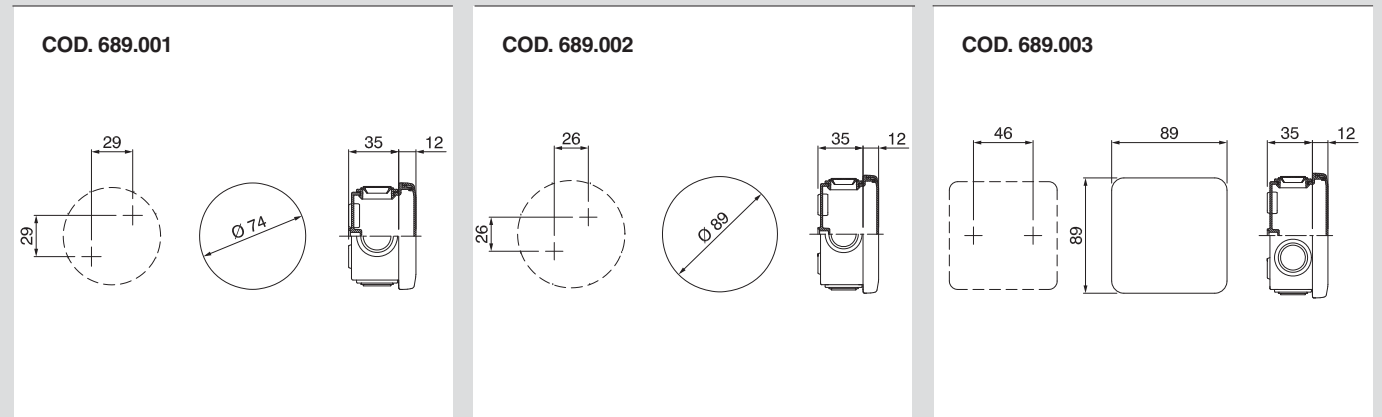
Protection degree:	IP55
Operating temperature according to the reference standard:	-25°C +35°C
Max. operating temperature:	60°C
Glow Wire test:	650°C
Material:	Engineering plastic
IK degree at 20°C:	IK07
Cable inlets:	Cable sleeve / Blank sides
Total insulation \square :	Yes
Halogen free:	No
DIN rail fixing:	Yes
Colour:	Grey RAL 7035

BEHAVIOUR WITH CHEMICAL AND ATMOSPHERIC AGENTS

Saline solution	Acids		Bases		Solvents				Mineral oil	UV rays
	Concentrated	Diluted	Concentrated	Diluted	Hexane	Benzol	Acetone	Alcohol		
Resistant	Limited Resistance	Resistant	Resistant	Resistant	Not Resistant	Not Resistant	Not Resistant	Limited Resistance	Resistant	Resistant

For specific substances please contact our technical service.

DIMENSIONS




(Dimension in mm)

CUBOX Series

Surface mounting junction boxes


BOX WITH CABLE SLEEVES - IP55



	Dimensions (mm)	No. of inlets	For	Fixing screws		
Release cover	ø65x40	4xø23mm	PG 16	2	4/100	Ⓢ 689.001
	ø80x40	4xø23mm	PG 16	2	4/100	Ⓢ 689.002
	80x80x40	7xø23mm	PG 16	2	4/60	Ⓢ 689.003
Screw cover	100x100x50	7xø23mm	PG 21	4	1/48	Ⓢ 689.004
	120x80x50	6xø29mm	PG 21	4	1/54	Ⓢ 689.005
	150x110x70	10xø29mm	PG 21	4	1/40	Ⓢ 689.006

(♦) Suitable for the hinges mounting.

BOX WITH CABLE SLEEVES AND TERMINAL STRIP - IP55




	Dimensions (mm)	No. of inlets	For	Fixing screws	Terminal strip	
Screw cover	100x100x50	7xø23mm	PG 21	4	6 poles - 6mm ²	1/48
	120x80x50	6xø29mm	PG 21	4	6 poles - 10mm ²	1/54
	150x110x70	10xø29mm	PG 21	4	8 poles - 16mm ²	1/40

ACCESSORIES



Description			
Sealing caps	12 pieces	10/100	654.0080

BOX WITH BLANK SLEEVES - IP55



Cover	Dimensions (mm)	Fixing screws		
Screw cover	100x100x50	2	1/40	Ⓢ 687.204
	120x80x50	2	1/42	Ⓢ 687.205
	150x110x70	2	1/48	Ⓢ 687.206

(♦) Suitable for the hinges mounting.