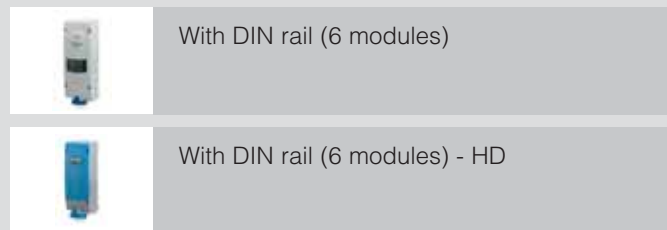


INTERLOCKED SWITCH SOCKET OUTLETS



VERSIONS



WIRING AND INSTALLATION

Wiring capacity of the terminals. Cross-section of the connectable conductors (mm²)

Rated current (A)	Socket outlets	
	Min	Max
20A	1,5	4
32A	2,5	10
63A	6	25

BEHAVIOUR WITH CHEMICAL AND ATMOSPHERIC AGENTS - STANDARD SOCKET

Saline solution	Acids		Bases		Solvents				Mineral oil	UV rays
	Concentrated	Diluted	Concentrated	Diluted	Hexane	Benzol	Acetone	Alcohol		
Resistant	Limited Resistance	Resistant	Limited Resistance	Resistant	Not Resistant	Not Resistant	Not Resistant	Limited Resistance	Resistant	Resistant

BEHAVIOUR WITH CHEMICAL AND ATMOSPHERIC AGENTS - HD SOCKET

Saline solution	Acids		Bases		Solvents				Mineral oil	UV rays
	Concentrated	Diluted	Concentrated	Diluted	Hexane	Benzol	Acetone	Alcohol		
Resistant	Limited Resistance	Resistant	Limited Resistance	Resistant	Resistant	Limited Resistance	Not Resistant	Resistant	Resistant	Resistant

REFERENCE STANDARDS

EN 60309-1
Plugs, socket outlets and couples for industrial purposes.
Part 1: general requirements.

EN 60309-2
Plugs, socket outlets and couples for industrial purposes.
Part 2: dimensional interchangeability requirements for pin and contact-tube accessories of harmonised configurations.

QUALITY MARKS



TECHNICAL CHARACTERISTICS

Rated current:	20A-32A-63A
Rated voltage:	100÷690V~
Frequency:	c.c. - 50÷500Hz
Insulating voltage:	500/690V~
Protection degree:	IP44-IP66/IP67
Operating temperature according to the reference standard:	-25°C +40°C
Max. operating temperature:	60°C
Glow Wire test:	650°C/850°C
Material:	Engineering plastic
IK degree at 20°C:	IK07
Cable inlets:	Metric
Fuse-carriers:	gG 10,3x38mm (16-32A) Neozed type D02 (63A)
Colour:	Standard socket Grey RAL 7035 front side and smoke-grey plate Heavy Duty socket Blue RAL 5015 front side and dark-grey RAL 7004 body

WITH RAIL DIN (6 MODULES)

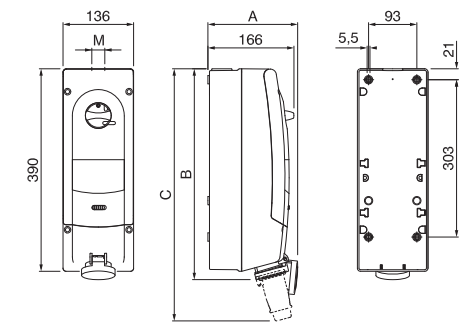
Current rating	No of poles	Hr position	Voltage AC	IP44	
				567.2083	568.2083
20A	2P+E	6	200-250	567.2083	568.2083
	3P+E		380-415	567.2086	568.2086
	3P+N+E		346-415	567.2087	568.2087
32A	2P+E	6	200-250	567.3283	568.3283
	3P+E		380-415	567.3286	568.3286
	3P+N+E		346-415	567.3287	568.3287
63A	2P+E	6	200-250	568.6383	
	3P+E		380-415	568.6386	
	3P+N+E		346-415	568.6387	

WITH RAIL DIN (6 MODULES)

Current rating	No of poles	Hr position	Voltage AC	IP66/IP67	
				569.2083	569.2086
20A	2P+E	6	200-250	569.2083	569.2086
	3P+E		380-415	569.2086	569.2087
	3P+N+E		346-415	569.2087	569.2087
32A	2P+E	6	200-250	569.3283	569.3286
	3P+E		380-415	569.3286	569.3287
	3P+N+E		346-415	569.3287	569.3287
63A	2P+E	6	200-250	569.6383	
	3P+E		380-415	569.6386	
	3P+N+E		346-415	569.6387	

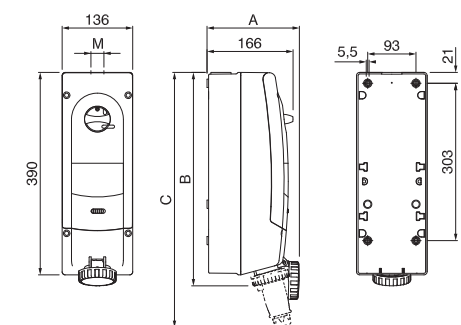
DIMENSIONS

LARGE VERSION - IP44



	A	B	C	M
2P+E 20A	166	406	486	25
3P+E 20A	180	406	492	25
3P+N+E 20A	190	406	506	25
2P+E 32A	199	416	513	25
3P+E 32A	199	416	513	25
3P+N+E 32A	199	419	519	25

LARGE VERSION - IP66/IP67



	A	B	C	M
2P+E 20A	166	412	492	25
3P+E 20A	186	412	500	25
3P+N+E 20A	197	412	518	25
2P+E 32A	205	420	526	25
3P+E 32A	205	420	526	25
3P+N+E 32A	207	420	533	25
63A	211	439	610	40