

Fuse Clips

- VT Fuse Clips for 25.4mm diameter.
- DIN standard Clips for 'F' and 'T' range fuse links.
- BS Mounting Clips suitable for 50.8mm and 76.2mm Oil, Air, and Motor Fuse Links up to 200A.



Cooper Bussmann Fuse Clips

To complement the range of tag fixings offered by Cooper Bussmann, a range of fuse clips are available. These are suitable for use with British Standard, DIN dimensioned and VT ferrule style fuse links. The BS and DIN clips are rated up to 200 Amps. They are designed to be fitted onto insulated studs or directly onto a busbar.

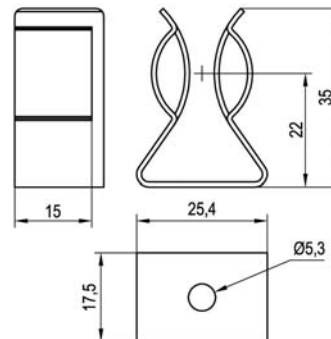
General Guide to the Selection of Fuse Clips

Fuse Clips	Clip Reference
DIN fuse links to 43625	270303 or A3354745
Voltage transformer and auxiliary type fuse links	A3354705
British Standard fuse links	
50.8mm (2") diameter	A3354710
63.5mm (2") diameter	A3354720
76.2mm (2") diameter	A3354730

Clips for 25.4mm VT Fuse Links

Material: Nickel silver alloy
 Order as part number: A3354705

Dimensions (mm)

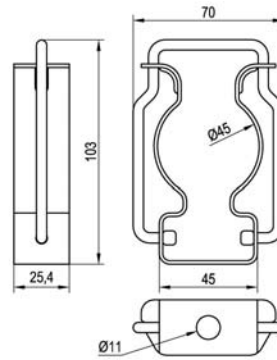


Fuse Clips

Clips for DIN Fuse Links

Material: Nickel-plated copper
 Order as part number: 270303
 Suitable for use with Cooper Bussmann DIN fuse links. Also suitable for use with other Cooper Bussmann fuse links having type 'J' end tags, to DIN 43625, with maximum current rating of 200 Amps

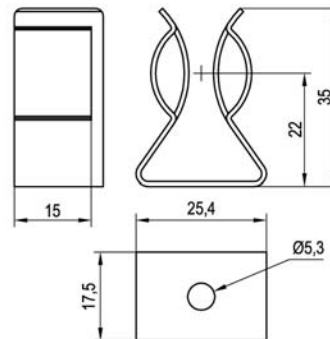
Dimensions (mm)



Clips for British Standard and DIN Style Fuse Links

Material: Nickel-plated copper
 Order as part number:
 A3354745 for 45mm diameter
 A3354710 for 50.8mm diameter
 A3354720 for 63.5mm diameter
 A3354730 for 76.2mm diameter

Dimensions (mm)



Fuse Diameter (D)	H	W	C
45	86	112	48
50.8	86	112	48
63.5	95	124	54
76.2	100	140	58