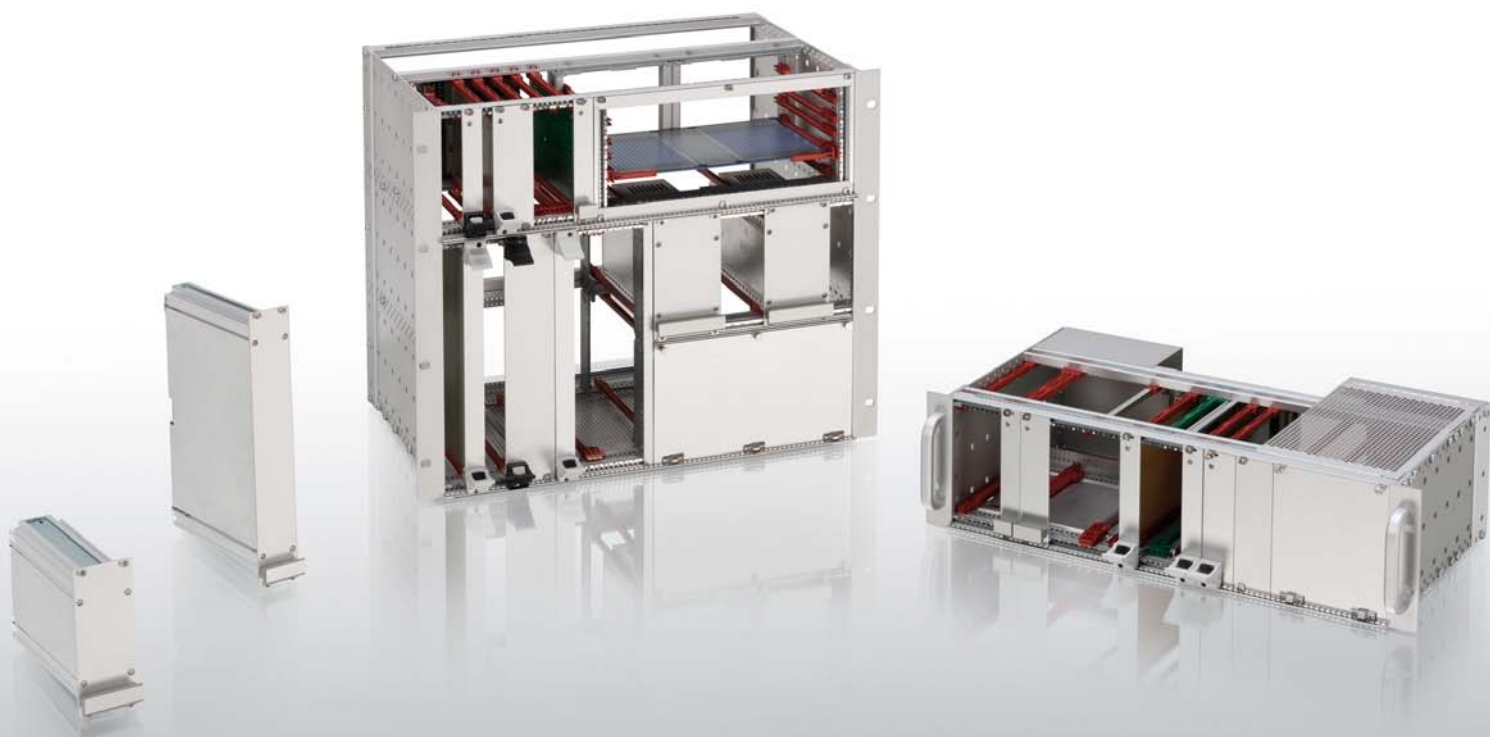


Interzoll Modul



Detailed product information can be found on www.bopla.de



- Wide range of standard products
- Standard subracks for Euro and double Euro cards
- EMC protection upgradable at any time
- Railway-tested versions for use in buses and rail vehicles
- Special subracks can be produced quickly and flexibly
- Part and plug-in front panels
- Frame-type plug-in units
- Comprehensive range of accessories

Colour:

Profiles, natural-coloured anodised aluminium

Protection class:

Up to IP 40/DIN EN 60529 to the installation area

Enclosure material:

Profile Al Mg: Si 0.5; for details see Technical Information

The comprehensive 19" subrack range for complex and EMC-screened applications.



Interzoll Modul was designed according to relevant 19" standards. For details, please see "Overview of standards" in the "Technical Information" section.



The Interzoll Modul frame-type plug-in units comply with DIN IEC 60297-3-101 / IEEE 1101.1.



All guide rails have sturdy snap-in fixings to ensure a firm fit. Continuous numbering acts as a visual insertion aid.



Profile rails with BN marking: Possible use for a railway-tested subrack and in bus and rail vehicles.



The support brackets are firmly pressed to the side panel to cope with extreme mechanical loads. All side panels are passivated and have a conductive function.



A support profile fixed to the side panel guarantees contact with a fitted recessed front panel or plug-in unit.



During screwing, the profiles are automatically pressed against the protruding bosses, secured against turning and positioned exactly.



EMC springs are clipped onto a conductive area of the profiles. The subracks provide the necessary contact to the screened front panel.



A stainless steel spring ensures secure contacting to the cover plate.

Interzoll Modul | 3 U

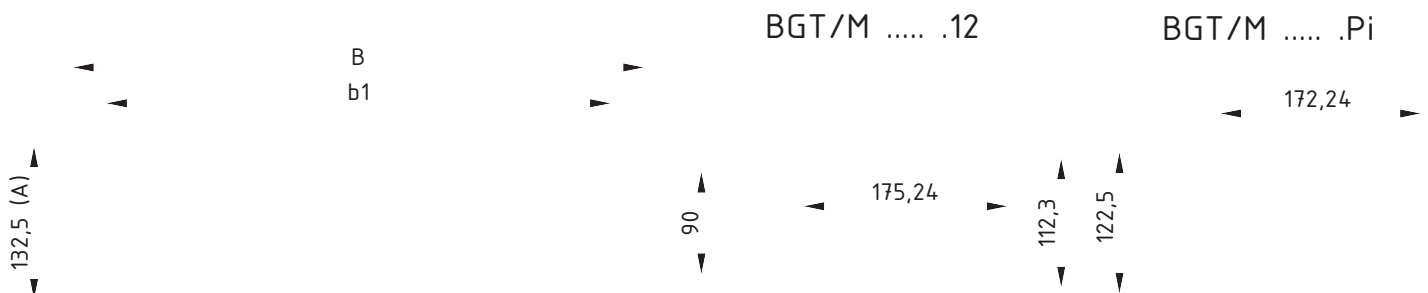


Subrack, 3 U, for backplanes (.Pi) and connectors, DIN EN 60603-2 (.12)

Model	Order no.	A	B	C	b1	U	HP
BGT/M 18340.Pi	85183420	132,5	269,24	178	213,64	3	42
BGT/M 24340.Pi	85243420	132,5	269,24	238	213,64	3	42
BGT/M 30340.Pi	85303420	132,5	269,24	298	213,64	3	42
BGT/M 36340.Pi	85363420	132,5	269,24	358	213,64	3	42
BGT/M 18360.Pi	85183620	132,5	375,92	178	320,32	3	63
BGT/M 24360.Pi	85243620	132,5	375,92	238	320,32	3	63
BGT/M 30360.Pi	85303620	132,5	375,92	298	320,32	3	63
BGT/M 36360.Pi	85363620	132,5	375,92	358	320,32	3	63
BGT/M 18380.Pi	85183820	132,5	482,6	178	427	3	84
BGT/M 24380.Pi	85243820	132,5	482,6	238	427	3	84
BGT/M 30380.Pi	85303820	132,5	482,6	298	427	3	84
BGT/M 36380.Pi	85363820	132,5	482,6	358	427	3	84
BGT/M 18340.12	85183400	132,5	269,24	178	213,64	3	42
BGT/M 24340.12	85243400	132,5	269,24	238	213,64	3	42
BGT/M 30340.12	85303400	132,5	269,24	298	213,64	3	42
BGT/M 36340.12	85363400	132,5	269,24	358	213,64	3	42
BGT/M 18360.12	85183600	132,5	375,92	178	320,32	3	63
BGT/M 24360.12	85243600	132,5	375,92	238	320,32	3	63
BGT/M 30360.12	85303600	132,5	375,92	298	320,32	3	63
BGT/M 36360.12	85363600	132,5	375,92	358	320,32	3	63
BGT/M 18380.12	85183800	132,5	482,6	178	427	3	84
BGT/M 24380.12	85243800	132,5	482,6	238	427	3	84
BGT/M 30380.12	85303800	132,5	482,6	298	427	3	84
BGT/M 36380.12	85363800	132,5	482,6	358	427	3	84

Scope of delivery: 2 side panels, 2 flanges, 2 front profiles, 2 bus profiles (.Pi) / 2 rear profiles (.12), mounting material

Note: Matching subrack for ejector handles on request.



Z-2903310

Interzoll Modul | 6 U

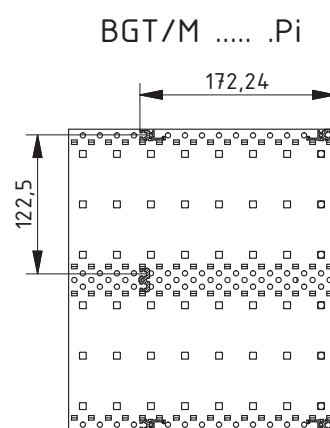
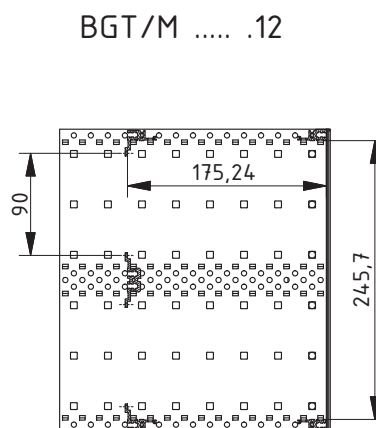
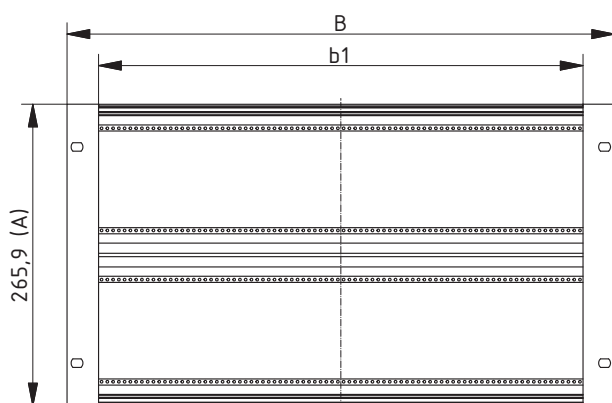
Subrack, 6 U, for backplanes (.Pi) and connectors, DIN EN 60603-2 (.12)



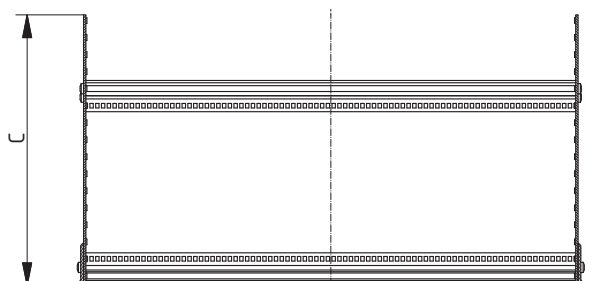
Model	Order no.	A	B	C	b1	U	HP
BGT/M 18640.Pi	85186420	265,9	269,24	178	213,64	6	42
BGT/M 24640.Pi	85246420	265,9	269,24	238	213,64	6	42
BGT/M 30640.Pi	85306420	265,9	269,24	298	213,64	6	42
BGT/M 36640.Pi	85366420	265,9	269,24	358	213,64	6	42
BGT/M 18660.Pi	85186620	265,9	375,92	178	320,32	6	63
BGT/M 24660.Pi	85246620	265,9	375,92	238	320,32	6	63
BGT/M 30660.Pi	85306620	265,9	375,92	298	320,32	6	63
BGT/M 36660.Pi	85366620	265,9	375,92	358	320,32	6	63
BGT/M 18680.Pi	85186820	265,9	482,6	178	427	6	84
BGT/M 24680.Pi	85246820	265,9	482,6	238	427	6	84
BGT/M 30680.Pi	85306820	265,9	482,6	298	427	6	84
BGT/M 36680.Pi	85366820	265,9	482,6	358	427	6	84
BGT/M 18640.12	85186410	265,9	269,24	178	213,64	6	42
BGT/M 24640.12	85246410	265,9	269,24	238	213,64	6	42
BGT/M 30640.12	85306410	265,9	269,24	298	213,64	6	42
BGT/M 36640.12	85366410	265,9	269,24	358	213,64	6	42
BGT/M 18660.12	85186610	265,9	375,92	178	320,32	6	63
BGT/M 24660.12	85246610	265,9	375,92	238	320,32	6	63
BGT/M 30660.12	85306610	265,9	375,92	298	320,32	6	63
BGT/M 36660.12	85366610	265,9	375,92	358	320,32	6	63
BGT/M 18680.12	85186810	265,9	482,6	178	427	6	84
BGT/M 24680.12	85246810	265,9	482,6	238	427	6	84
BGT/M 30680.12	85306810	265,9	482,6	298	427	6	84
BGT/M 36680.12	85366810	265,9	482,6	358	427	6	84

Scope of delivery: 2 side panels, 2 flanges, 2 front profiles, 2 bus profiles (.Pi), 1 double bus profile (.Pi) / 2 rear profiles (.12), 1 double connector profile (.12), mounting material

Note: Matching subrack for ejector handles on request.



Z-2903311



For accessories, please see the end of the chapter

Interzoll Modul | Accessories



EMC springs, stainless steel, for the connection between profile and cover plate

Model	Order no.	Note
EMV-Feder-AP/M 42TE	86001042	42 HP
EMV-Feder-AP/M 63TE	86001063	63 HP
EMV-Feder-AP/M 84TE	86001084	84 HP

Scope of delivery: 10 EMC springs

Note: Can be mounted in all front and rear profiles for contacting with angled EMC cover plates.



Mounting tool for EMC spring AP/M

Model	Order no.
MWZ/M-I	86001201

Scope of delivery: 1 assembly tool



EMC springs, stainless steel, for the connection between front panels, front panel and flange or rear panel and rear end profile

Model	Order no.	Note
EMV-Feder-FP/M 2HE	86001002	2 U
EMV-Feder-FP/M 3HE	86001003	3 U
EMV-Feder-FP/M 6HE	86001006	6 U

Scope of delivery: 10 EMC springs

Note: Can be mounted in flanges and end profiles. The front panels must also be equipped with springs.



EMC springs, stainless steel, for the connection between the front panel / backplane and profile

Model	Order no.	Note
EMV-Feder-FP/M 42TE	86001142	42 HP
EMV-Feder-FP/M 63TE	86001163	63 HP
EMV-Feder-FP/M 84TE	86001184	84 HP

Scope of delivery: 10 EMC springs

Note: Can be mounted in all front profiles and bus profiles PBIS/M....

Mounting instruction: arrows point outwards.



Mounting tool for EMC spring FP/M

Model	Order no.	Note
MWZ/M-II	86001202	Assembly tool

Scope of delivery: 1 assembly tool

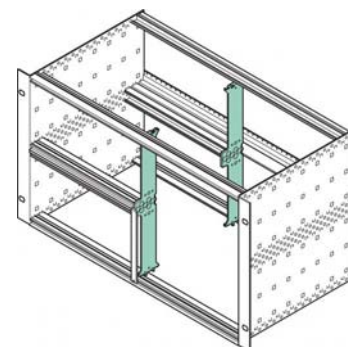
Interzoll Modul | Accessories

Separating strut, diecast zinc, for combined mounting of Euro and double Euro cards in 6 U subracks

Model	Order no.	Note
TST/M 00600	86010600	6 U

Scope of delivery: 1 partition element

Note: The partition element can be fitted on the left or right in the subrack. The partition is hooked in and can be screwed into position if required. Special profile rails on request. Part front panels and mounting material BFS/M 0200 and 0900 as accessories. Not suitable for AD/M.

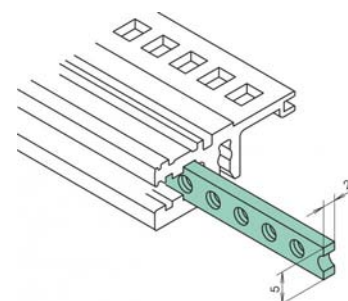


Tapped strips, galv. steel, M2.5

Model	Order no.	Note
GS/M 00042	86542110	42 HP
GS/M 00063	86563110	63 HP
GS/M 00084	86584110	84 HP

Scope of delivery: 1 tapped strip

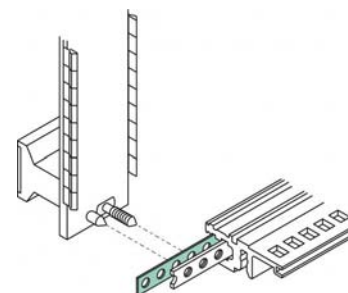
Note: Can be used for all IZM profiles. To fix front panels, use 12.3 mm long collar screws.



Perforated strip, untreated aluminium, for centring the shielded front panels via guide pins

Model	Order no.	Note
LO/M 00042	86542120	42 HP
LO/M 00063	86563120	63 HP
LO/M 00084	86584120	84 HP

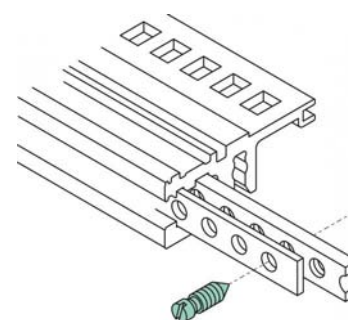
Scope of delivery: 1 perforated strip



M2.5 slotted set screw for fixing the perforated strip and fixing and earthing the threaded insert.

Model	Order no.	Note
GSE/M	86002000	SHR STI Z M2.5x6 DIN 533 A2

Scope of delivery: 20 slotted set screws

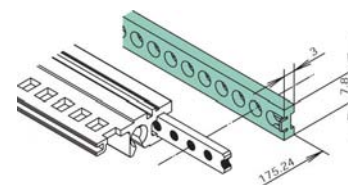


Insulating strip, plastic, UL 94 V0, for insulated fixing of backplanes

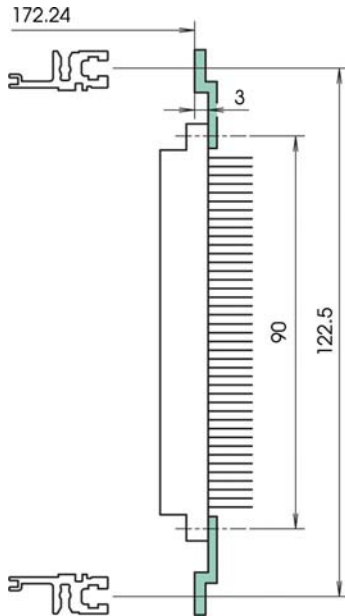
Model	Order no.	Note
IS/M 00042	86542130	42 HP
IS/M 00063	86563130	63 HP
IS/M 00084	86584130	84 HP

Scope of delivery: 1 insulating strip

Note: Mounting material BFS/M 0300 and 0400 as accessories.



Interzoll Modul | Accessories

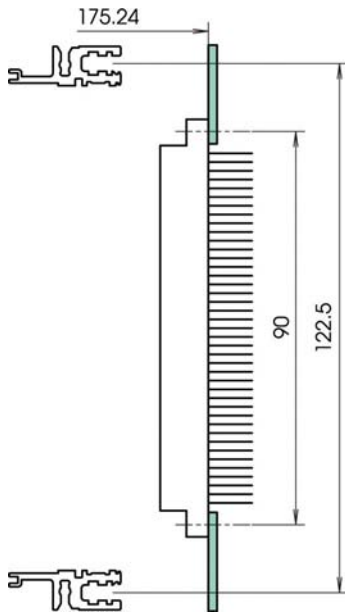


Z-rails, natural-coloured anodised aluminium, for connectors acc. to DIN EN 60603-2 (formerly DIN 41612)

Model	Order no.	Note
ZS/M 00040	86540210	40 HP
ZS/M 00060	86560210	60 HP
ZS/M 00084	86584210	84 HP

Scope of delivery: 1 Z-rail

Note: For extension of a bus profile for direct connector mounting. Not for use with PBIS. Mounting material BFS/M 0300 as accessory.



Perforated rails, passivated aluminium, for connectors acc. to DIN EN 60603-2 (formerly DIN 41612)

Model	Order no.	Note
LS/M 00040	86540220	40 HP
LS/M 00060	86560220	60 HP
LS/M 00084	86584220	84 HP

Scope of delivery: 1 perforated rail

Note: For extension of a bus profile for direct connector mounting. Only for use with PBIS. Mounting material BFS/M 0400 as accessory.



Shielded rear hood, passivated aluminium

Model	Order no.	Note
RW/M 00384	86384031	3 U, 84 HP

Scope of delivery: 1 rear hood

Note: If the rear hood is used, the side panel must be 60 mm deeper than the rated dimension. Additional sizes on request. Mounting material BFS/M 0500 and EMC spring AP/M as accessories.

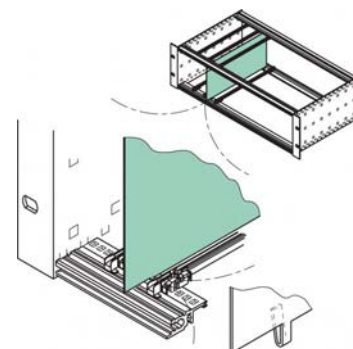
Interzoll Modul | Accessories

Partition, stainless steel, snaps onto the profiles

Model	Order no.	Note
TP/M 16300	86316032	Card depth 160, 3 U

Scope of delivery: 1 partition panel

Note: 2 mm space requirement on the construction side. Additional sizes on request.

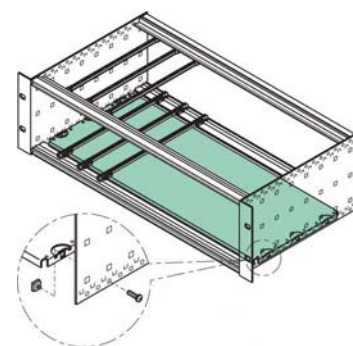


Mounting panel, passivated aluminium, for fixing additional components

Model	Order no.	Note
MP/M 22042	86342223	Card depth 220, 42 HP
MP/M 22084	86384223	Card depth 220, 84 HP

Scope of delivery: 1 mounting panel

Note: Additional sizes on request. Mounting material BFS/M 0500 and 0600 as accessories. For Internorm Stil, use BFS/INS 0300 instead of BFS/M 0500.



Card guides standard, one piece, plastic, UL 94 V0, red

Model	Order no.	Note
KF/M 80	86021008	Card depth 80 mm, groove width 2 mm
KF/M 160	86216010	Card depth 160 mm, groove width 2 mm
KF/M 220	86222010	Card depth 220 mm, groove width 2 mm
KF/M 160-2,5	86216020	Card depth 160 mm, groove width 2.5 mm
KF/M 220-2,5	86222020	Card depth 220 mm, groove width 2.5 mm

Scope of delivery: 1 card guide

Note: 80 mm long card guide for a plug-in unit with rear I/O acc. to DIN IEC 60297-3-101 / IEEE 1101.11. Fixing screws (only BN) BFS/M 0200 as accessory.



Card guides for coding block, one piece, plastic, UL 94 V0, red

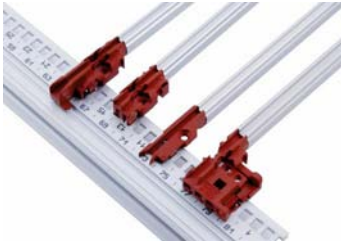
Model	Order no.	Note
KF/M 160-COB	86021016	Card depth 160 mm, groove width 2 mm
KF/M 220-COB	86021022	Card depth 220 mm, groove width 2 mm
KF/M 160-COB-V	86022016	Card depth 160 mm, groove width 2 mm
KF/M 220-COB-V	86022022	Card depth 220 mm, groove width 2 mm
KF/M 280-COB-V	86022028	Card depth 280 mm, groove width 2 mm

Scope of delivery: 1 card guide

Note: V-design for heavy modules. Fixing screws (only BN) BFS/M 0200 as accessory. Coding block and coding pegs on request.



Interzoll Modul | Accessories



Individual components for universal card guide, plastic, UL 94 V0, red, card guide profiles of natural-coloured anodised aluminium

Model	Order no.	Note
KF/M 000-K	86020000	Standard end pieces, groove width 2 mm
KF/M 000-K-COB	86020100	End pieces for coding block / card retainer, groove width 2 mm
KF/M 1000	86200020	Card guide profile (1000 mm), groove width 2 mm
KF/M 000-K-4,4"	86020200	End pieces for card height 4.4", groove width 2 mm
KF/M 000-COB-K-2,5	86020300	End pieces including coding block, groove width 2.5 mm
KF/M 1000-A-2,5	86200030	Card guide profile (1000 mm), groove width 2.5 mm

Scope of delivery: Profiles: 1 piece; end pieces: 10 pairs (right/left)

Note: End pieces ...4,4" are for circuit board height 4.4" (111.7 mm). Card earthing cannot be used with this type.

Fixing screws only for use with the BN profiles. For card guide ...4.4" please use BFS/M 2400. For all other BFS/M 0200 types, see accessories. Special profile lengths on request.

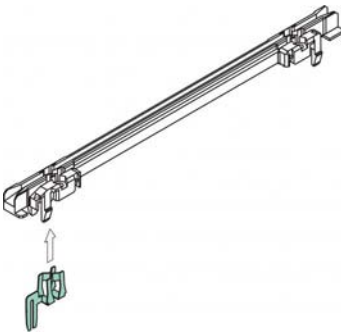


Card guides, one piece, for heavy PCBs and plug-in units, natural-coloured anodised aluminium

Model	Order no.	Note
KF/M 160-V-A	86416010	Card depth 160 mm, groove width 2 mm
KF/M 220-V-A	86422010	Card depth 220 mm, groove width 2 mm
KF/M 280-V-A	86428010	Card depth 280 mm, groove width 2 mm

Scope of delivery: 1 card guide

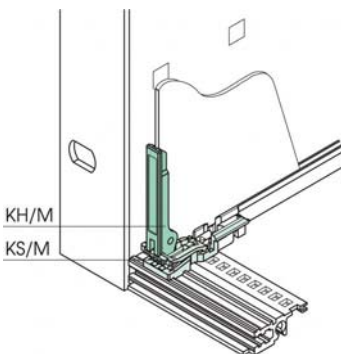
Note: Fixing screws only for use with the BN profiles. Please use BFS/M 2500 (see accessories).



Card earthing, tin-plated steel, for contacting between board and subrack

Model	Order no.	Note
KE/M	86022100	Card earthing for circuit board

Scope of delivery: 20 card earthing units



Card lever and card retainer, plastic, UL 94 V0, red, only for use with KF/M...COB (-V)

Model	Order no.	Note
KH/M	86022300	Card lever
KS/M	86022200	Card retainer

Scope of delivery: 1 card lever / 1 card retainer

Note: The card lever can only be used with the card retainer. Also for use on slot position 1. Minimum clearance for the guide rails: 3 HP.

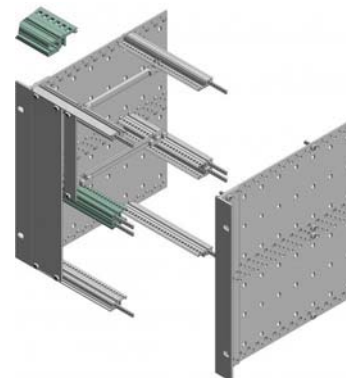
Interzoll Modul | Accessories

Front profiles without lip, natural-coloured anodised aluminium, conductive contact surfaces, for installation behind full-width front panels

Model	Order no.	Note
PF/M 00042-OD	86542310	42 HP
PF/M 00063-OD	86563310	63 HP
PF/M 00084-OD	86584310	84 HP

Scope of delivery: 1 profile

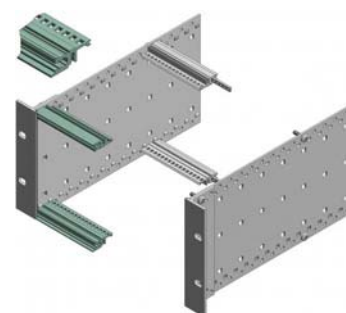
Note: For installation behind a full-width front panel, e.g. 6 U.



Front profiles with short lip (standard), natural-coloured anodised aluminium, conductive contact surfaces

Model	Order no.	Note
PF/M 00042	86542320	42 HP
PF/M 00063	86563320	63 HP
PF/M 00084	86584320	84 HP

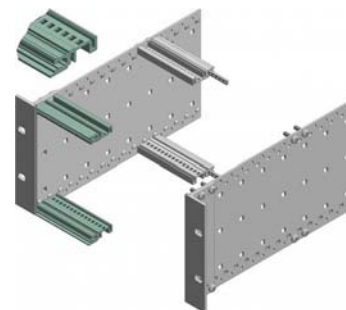
Scope of delivery: 1 profile



Front profiles for high mechanical loads, natural-coloured anodised aluminium, conductive contact surfaces, 2-hole fixing

Model	Order no.	Note
PF/M 00042-BN	86542330	42 HP
PF/M 00063-BN	86563330	63 HP
PF/M 00084-BN	86584330	84 HP

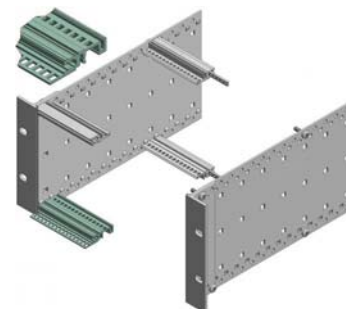
Scope of delivery: 1 profile



Front profiles for high mechanical loads and ejector handle acc. to DIN IEC 60297-3-102 / IEEE 1101.10, natural-coloured anodised aluminium, conductive contact surfaces, 2-hole fixing

Model	Order no.	Note
PF/M 00042-BN-HG	86542340	42 HP
PF/M 00063-BN-HG	86563340	63 HP
PF/M 00084-BN-HG	86584340	84 HP

Scope of delivery: 1 profile

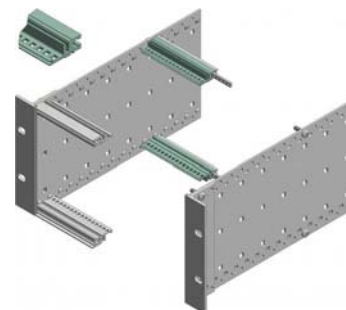


Bus profiles, natural-coloured anodised aluminium, for indirect backplane fixing

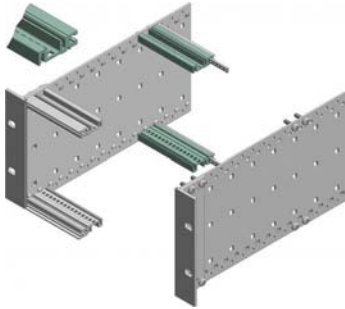
Model	Order no.	Note
PB/M 00042	86542410	42 HP
PB/M 00063	86563410	63 HP
PB/M 00084	86584410	84 HP

Scope of delivery: 1 profile

Note: Please order insulating strips separately.



Interzoll Modul | Accessories

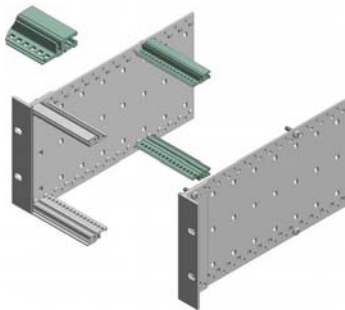


Bus profiles for high mechanical loads, natural-coloured anodised aluminium, conductive contact surfaces, 2-hole fixing, for indirect backplane fixing

Model	Order no.	Note
PB/M 00042-BN	86542420	42 HP
PB/M 00063-BN	86563420	63 HP
PB/M 00084-BN	86584420	84 HP

Scope of delivery: 1 profile

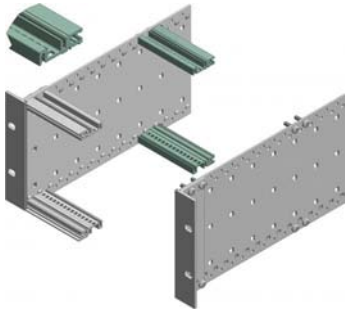
Note: Please order insulating strips separately.



Bus profiles, natural-coloured anodised aluminium, conductive contact surfaces, for backplane mounting without insulating strip

Model	Order no.	Note
PBIS/M 00042	86542430	42 HP
PBIS/M 00063	86563430	63 HP
PBIS/M 00084	86584430	84 HP

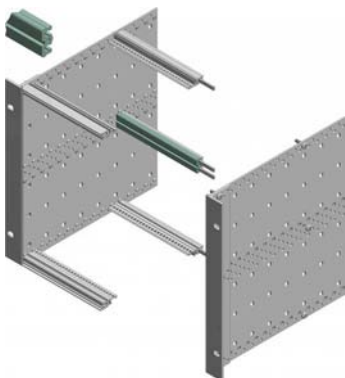
Scope of delivery: 1 profile



Bus profiles with an integrated insulating strip clearance for high mechanical loads, natural-coloured anodised aluminium, conductive contact surfaces, 2-hole fixing, for direct backplane fixing

Model	Order no.	Note
PBIS/M 00042-BN	86542440	42 HP
PBIS/M 00063-BN	86563440	63 HP
PBIS/M 00084-BN	86584440	84 HP

Scope of delivery: 1 profile



Double bus profiles, natural-coloured anodised aluminium, conductive contact surfaces, for bus PCB fixing

Model	Order no.	Note
PBD/M 00642	86542450	42 HP
PBD/M 00663	86563450	63 HP
PBD/M 00684	86584450	84 HP

Scope of delivery: 1 profile

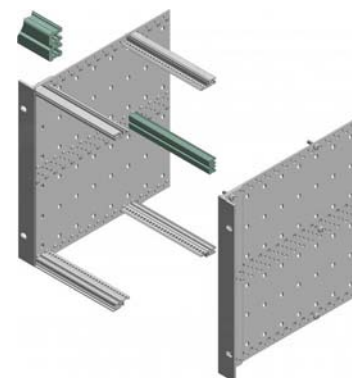
Note: Please order insulating strips separately.

Interzoll Modul | Accessories

Double bus profiles with an integrated insulating strip clearance, natural-coloured anodised aluminium, conductive contact surfaces, for indirect backplane fixing

Model	Order no.	Note
PBDIS/M 00642	86542460	42 HP
PBDIS/M 00663	86563460	63 HP
PBDIS/M 00684	86584460	84 HP

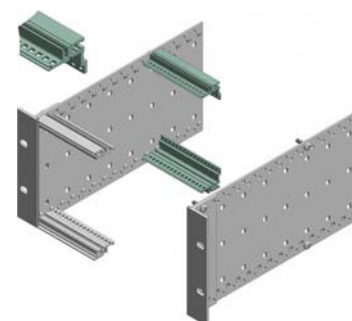
Scope of delivery: 1 profile



Rear profiles, natural-coloured anodised aluminium, conductive contact surfaces, for connectors acc. to DIN EN 60603-2 (formerly DIN 41612)

Model	Order no.	Note
PR/M 00042.12	86542510	42 HP
PR/M 00063.12	86563510	63 HP
PR/M 00084.12	86584510	84 HP

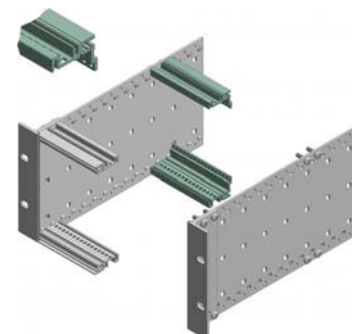
Scope of delivery: 1 profile



Rear profiles for high mechanical loads, natural-coloured anodised aluminium, conductive contact surfaces, 2-hole fixing, for connectors acc. to DIN EN 60603-2 (formerly DIN 41612)

Model	Order no.	Note
PR/M 00042.12-BN	86542520	42 HP
PR/M 00063.12-BN	86563520	63 HP
PR/M 00084.12-BN	86584520	84 HP

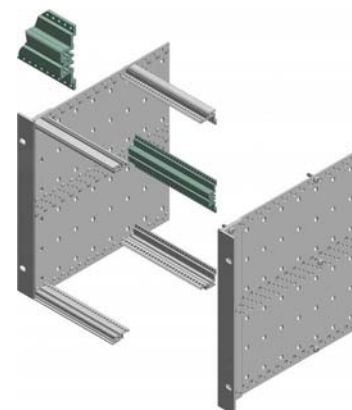
Scope of delivery: 1 profile



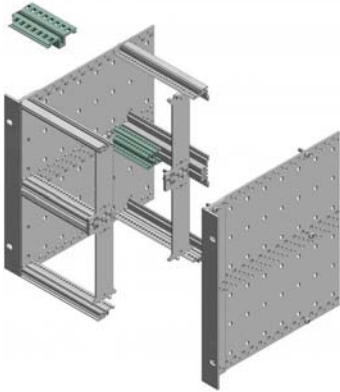
Double connector profiles, natural-coloured anodised aluminium, conductive contact surfaces, for connectors acc. to DIN EN 60603-2 (formerly DIN 41612)

Model	Order no.	Note
PSD/M 00642.12	86542610	42 HP
PSD/M 00663.12	86563610	63 HP
PSD/M 00684.12	86584610	84 HP

Scope of delivery: 1 profile



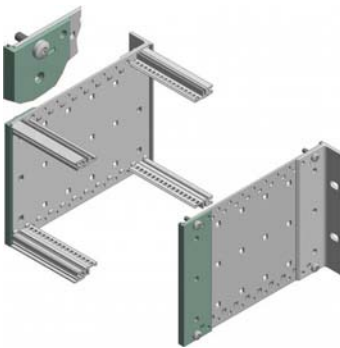
Interzoll Modul | Accessories



Snap profiles, natural-coloured anodised aluminium, conductive contact surfaces, for combined mounting and rear fitting of 80 mm Compact PCI units

Model	Order no.	Note
RP/M 00042	86542710	42 HP
RP/M 00063	86563710	63 HP
RP/M 00084	86584710	84 HP

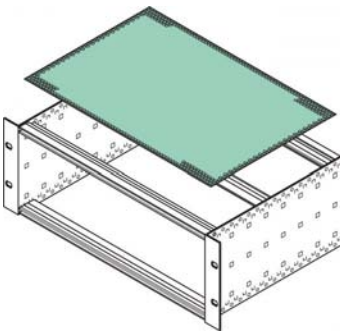
Scope of delivery: 1 profile
Note: RP/M 00084 with notch.



End profiles, passivated aluminium, for rear shielding, for use with all side panels

Model	Order no.	Note
RAP/M 00300	86503810	3 U
RAP/M 00600	86506810	6 U

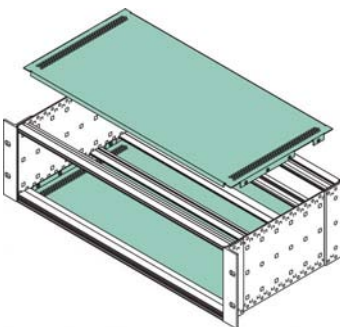
Scope of delivery: 1 profile
Note: Mounting takes place with the profile rail fixing. Optional additional screwing with BFS/M 0600 and 1500. Can also be mounted on the front with the universal flange.



Insertable cover plates, perforated untreated aluminium, not for use with BN profiles

Model	Order no.	Note
AD/M 13042-L	86442132	Card depth 160, 42 HP
AD/M 13063-L	86463132	Card depth 160, 63 HP
AD/M 13084-L	86484132	Card depth 160, 84 HP
AD/M 19042-L	86442192	Card depth 220, 42 HP
AD/M 19063-L	86463192	Card depth 220, 63 HP
AD/M 19084-L	86484192	Card depth 220, 84 HP

Scope of delivery: 1 cover plate
Note: Fixing in the profile rail groove. Other versions on request.



Cover plates EMC, screw-on, aluminium, passivated, perforated, with side notches for profile rails with depths 160, 220 and 280 mm

Model	Order no.	Note
ADGA/M 15042-L	86442154	Side panel depth 178, 42 HP
ADGA/M 15063-L	86463154	Side panel depth 178, 63 HP
ADGA/M 15084-L	86484154	Side panel depth 178, 84 HP
ADGA/M 21042-L	86442214	Side panel depth 238, 42 HP
ADGA/M 21063-L	86463214	Side panel depth 238, 63 HP
ADGA/M 21084-L	86484214	Side panel depth 238, 84 HP
ADGA/M 27042-L	86442274	Side panel depth 298, 42 HP
ADGA/M 27063-L	86463274	Side panel depth 298, 63 HP
ADGA/M 27084-L	86484274	Side panel depth 298, 84 HP
ADGA/M 33084-L	86484334	Side panel depth 358, 84 HP
ADGA/M 39084-L	86484394	Side panel depth 418, 84 HP
ADGA/M 45084-L	86484454	Side panel depth 478, 84 HP

Scope of delivery: 2 cover plates, mounting material
Note: 4 EMC springs AP/M are required for contacting to the profile rails.

* = Available on request

Interzoll Modul | Accessories

Side panels Standard and Compact PCI, passivated aluminium without flange

Model	Order no.	Note
BSW/M 18300	86618031	3 U, depth 178
BSW/M 24300	86624031	3 U, depth 238
BSW/M 30300	86630031	3 U, depth 298
BSW/M 36300	86636031	3 U, depth 358
BSW/M 42300	86642031	3 U, depth 418
BSW/M 48300	86648031	3 U, depth 478
BSW/M 18600	86618061	6 U, depth 178
BSW/M 24600	86624061	6 U, depth 238
BSW/M 30600	86630061	6 U, depth 298
BSW/M 36600	86636061	6 U, depth 358
BSW/M 42600	86642061	6 U, depth 418
BSW/M 48600	86648061	6 U, depth 478

Scope of delivery: 1 side panel

Note: Side panel 3 and 6 U - rear I/O for Compact PCI systems with installation of 160 mm plug-in units on the front and 80 mm plug-in units on the rear acc. to DIN IEC 60297-3-101 / IEEE 1101.11 on request.



Side panels with integrated flange for high mechanical loads, passivated aluminium, flange natural-coloured anodised on front

Model	Order no.	Note
BSW/M 18300-BN	86618033	3 U, depth 178
BSW/M 24300-BN	86624033	3 U, depth 238
BSW/M 30300-BN	86630033	3 U, depth 298

Scope of delivery: 1 side panel

Note: Flange types with holes for front handles and other sizes on request.

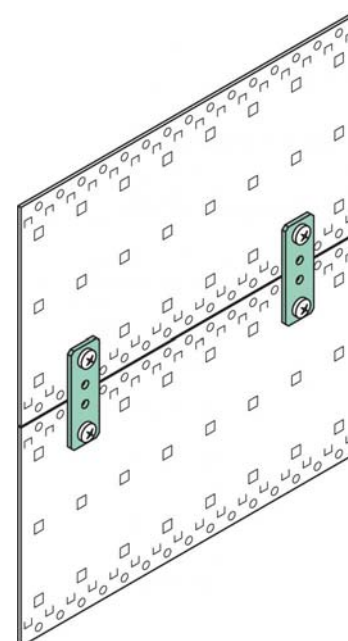


Connecting brackets, diecast zinc, for BSW/M side panels

Model	Order no.
VB/M	86062000

Scope of delivery: 1 connection bracket

Note: Subracks can be mounted above each other with the connecting panel. Screwing either via the profile rail fixing, or separately in any position required. Mounting material BFS/M 0600 and 01500 as accessory. 4 pieces are required for each subrack.



Interzoll Modul | Accessories

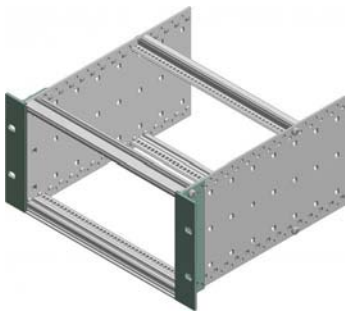


Flanges for control panel mounting, natural-coloured anodised, for visually attractive closure to switch panel top and bottom

Model	Order no.	Note
FLS/M 00042	86742004	42 HP
FLS/M 00063	86763004	63 HP
FLS/M 00084	86784004	84 HP

Scope of delivery: 1 flange

Note: One flange each is screwed for up and down on the front profile. Mounting material BFS/M 0200 as accessory.

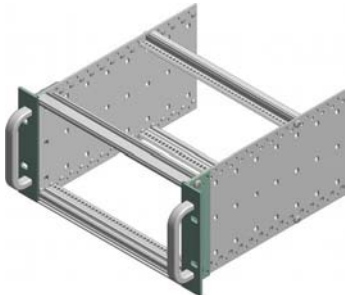


Flanges, front natural-coloured anodised, rear passivated, for BSW/M

Model	Order no.	Note
FL/M 00300	86700031	3 U
FL/M 00600	86700061	6 U

Scope of delivery: 1 flange

Note: Mounting is via the profile rail fixing. Additional fixing with BFS/M 0600 and 1500.

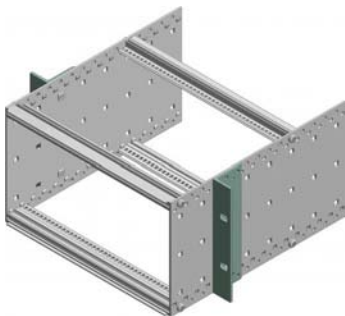


Flanges with holes for fixing handle, front natural-coloured anodised, rear passivated, for BSW /M

Model	Order no.	Note
FLG/M 00300	86700032	3 U
FLG/M 00600	86700062	6 U

Scope of delivery: 1 flange

Note: Mounting is via the profile rail fixing. Additional fixing with BFS/M 0600 and 1500.



Flanges, universal, front natural-coloured anodised, rear passivated, for BSW/M

Model	Order no.	Note
FLU/M 00300	86700033	3 U
FLU/M 00600	86700063	6 U

Scope of delivery: 1 flange

Note: Mounting is via the profile rail fixing or, optionally, separately in a 30 mm grid. Mounting material BFS/M 0600 and 1500 as accessories.



Handles for subracks, natural-coloured anodised aluminium

Model	Order no.	Note
GR/M 00300	86700035	3 U
GR/M 00600	86700065	6 U

Scope of delivery: 1 handle

Note: Mounting material BFS/M 0700 as accessories

Interzoll Modul | Accessories

Interzoll Modul mounting material

Model	Order no.	Note
BFS/M 0100	86000010	SHR Z M 4x14-SO, toothed, galvanised steel, torx 20, for all Interzoll Modul profiles
BFS/M 0200	86000020	SHR Z KT 2.5x9.3, galvanised steel, torx 8, for FLS/M, TST/M, KF/M...
BFS/M 0300	86000030	SHR Z M 2.5x7, galvanised steel, torx 8, for ZS/M
BFS/M 0400	86000040	SHR Z M 2.5x10, galvanised steel, torx 8, for LS/M
BFS/M 0500	86000050	SHR Z M 4x6-SO, toothed, anodised steel, torx 20, MP/M, RW/M
BFS/M 0600	86000060	MU M 4-4KT-SO, galvanised steel, for VB/M, TL/M, TLB/M, MP/M, RAP/M
BFS/M 0700	86000070	SHR S M 5x12, galvanised steel, recessed screw head, for GR/M
BFS/M 0800	86000080	SHR S M 4x5, galvanised steel, torx 20, for TL/M, TLB/M
BFS/M 0900	86000090	SHR S M 4x14-SO, toothed, torx 20, anodised steel, for TST/M
BFS/M 1000	86000100	SHR Z M 2.5x12, galvanised steel, slotted, for LKH/M 02, 03
BFS/M 1100	86000110	SHR S M 2.5x8, galvanised steel, cross-head, for LKH/M 06, 07
BFS/M 1200	86000120	SHB FED 2.6, anodised steel, for LKH/M 03
BFS/M 1300	86000130	SHR Z M 2.5x4, galvanised steel, cross-head, for LKH/M 06, 07
BFS/M 1400	86000140	RONT B 2.5x0.25x5, for LKH/M 08
BFS/M 1500	86000150	SHR Z M 4x6-SO countersink cone, galvanised steel, torx 20, for VB/M, RAP/M
BFS/M 1600	86000160	Collar screws, SHR Z M 2.5x12.3x6.5-SP, nickel-plated steel, recessed head screws
BFS/M 1700	86000170	Collar screws, SHR Z M 2.5x12.3x6.5-SP, nickel-plated steel, torx 8
BFS/M 1800	86000180	MU M 2.5-4KT, galvanised steel, for FX/M
BFS/M 1900	86000190	SHR Z M 2.5 x 8, anodised steel, cross-head, for FX/M, LKH/M 03
BFS/M 2000	86000200	MU M 2.5-6KT, galvanised steel, for LKH/M 02
BFS/M 2100	86000210	SHR S M 2.5x8, galvanised steel, cross-head, for ST/M (-EMV), LKH/M 02, 03
BFS/M 2200	86000220	Knurled screw without slot, SHR R M 2.5x12.3x6.5-SPx18.3, nickel-plated steel,
BFS/M 2400	86000240	SHR S KT 2.5x7.3, galvanised steel, torx 8, for KF/M 000-K-4.4"
BFS/M 2500	86000250	SHR Z KT 2.7x7.3, galvanised steel, torx 8, for KF/M 160-V-A
BFS/M 2600	86000260	SHR Z M 2.5x16, galvanised steel, recessed screw head, for LKH/M 02, 03
BFS/M 2700	86000270	Knurled screw without slot, SHR R M 2.5x12.3x6.5-SPx25.3, anodised steel, for PF/M with long lip
BFS/M2800	86000280	SHR Z M4x6-F-SO, toothed, torx 20, for ADGA/M

Scope of delivery: 20 pieces



Part front panels / plug-in units



Part front panels, natural-coloured anodised aluminium, passivated on rear

Model	Order no.	Note
TF/M 242	86842023	2 U, 42 HP
TF/M 263	86863023	2 U, 63 HP
TF/M 284	86884023	2 U, 84 HP
TF/M 302	86802033	3 U, 2 HP
TF/M 303	86803033	3 U, 3 HP
TF/M 304	86804033	3 U, 4 HP
TF/M 306	86806033	3 U, 6 HP
TF/M 307	86807033	3 U, 7 HP
TF/M 308	86808033	3 U, 8 HP
TF/M 310	86810033	3 U, 10 HP
TF/M 312	86812033	3 U, 12 HP
TF/M 314	86814033	3 U, 14 HP
TF/M 318	86818033	3 U, 18 HP
TF/M 319	86819033	3 U, 19 HP
TF/M 320	86820033	3 U, 20 HP
TF/M 321	86821033	3 U, 21 HP
TF/M 328	86828033	3 U, 28 HP
TF/M 340	86840033	3 U, 40 HP
TF/M 342	86842033	3 U, 42 HP
TF/M 363	86863033	3 U, 63 HP
TF/M 384	86884033	3 U, 84 HP
TF/M 484	86884043	4 U, 84 HP
TF/M 604	86804063	6 U, 4 HP
TF/M 605	86805063	6 U, 5 HP
TF/M 608	86808063	6 U, 8 HP
TF/M 628	86828063	6 U, 28 HP
TF/M 642	86842063	6 U, 42 HP
TF/M 684	86884063	6 U, 84 HP

Scope of delivery: 1 part front panel

Note: Special sizes on request. Screw holders and collar screws as accessories.

Part front panels / plug-in units

Part front panels, EMC, front natural-coloured anodised aluminium, passivated on rear with slot for EMC spring and pressed-in alignment pins

Model	Order no.	Note
TF/M 304-EMV	86804034	3 U, 4 HP
TF/M 308-EMV	86808034	3 U, 8 HP
TF/M 310-EMV	86810034	3 U, 10 HP
TF/M 314-EMV	86814034	3 U, 14 HP
TF/M 320-EMV	86820034	3 U, 20 HP
TF/M 321-EMV	86821034	3 U, 21 HP
TF/M 340-EMV	86840034	3 U, 40 HP
TF/M 342-EMV	86842034	3 U, 42 HP
TF/M 363-EMV	86863034	3 U, 63 HP
TF/M 384-EMV	86884034	3 U, 84 HP
TF/M 604-EMV	86804064	6 U, 4 HP
TF/M 608-EMV	86808064	6 U, 8 HP
TF/M 612-EMV	86812064	6 U, 12 HP
TF/M 684-EMV	86884064	6 U, 84 HP

Scope of delivery: 1 part front panel

Note: Additional sizes on request. For mounting material and EMC springs, see Interzoll Modul accessories.



Front panels, EMC, 3 / 6 U, collapsible, front natural-coloured anodised aluminium, passivated on rear

Model	Order no.	Note
TF/M 342-EMV-K	86842037	3 U, 42 HP
TF/M 363-EMV-K	86863037	3 U, 63 HP
TF/M 384-EMV-K	86884037	3 U, 84 HP
TF/M 642-EMV-K	86842067	6 U, 42 HP
TF/M 684-EMV-K	86884067	6 U, 84 HP

Scope of delivery: 1 front panel, 1 hinge set, 3 metal screw holders, 3 knurled screws M2.5x12.3, EMC textile seal, mounting material



Front panels, 3 / 6 U, collapsible, front natural-coloured anodised aluminium, passivated on rear

Model	Order no.	Note
TF/M 342-K	86842038	3 U, 42 HP
TF/M 363-K	86863038	3 U, 63 HP
TF/M 384-K	86884038	3 U, 84 HP
TF/M 642-K	86842068	6 U, 42 HP
TF/M 663-K	86863068	6 U, 63 HP
TF/M 684-K	86884068	6 U, 84 HP

Scope of delivery: 1 front panel, 1 hinge set, 3 metal screw holders, 3 knurled screws BFS/M 2200, mounting material



Part front panels / plug-in units



Plug-in front panels, front natural-coloured anodised aluminium, passivated on rear, incl. handles, plastic, UL 94 V 0, light grey

Model	Order no.	Note
ST/M 303	86803037	3 U, 3 HP
ST/M 304	86804037	3 U, 4 HP
ST/M 305	86805037	3 U, 5 HP
ST/M 306	86806037	3 U, 6 HP
ST/M 308	86808037	3 U, 8 HP
ST/M 309	86809037	3 U, 9 HP
ST/M 310	86810037	3 U, 10 HP
ST/M 312	86812037	3 U, 12 HP
ST/M 318	86818037	3 U, 18 HP
ST/M 321	86821037	3 U, 21 HP

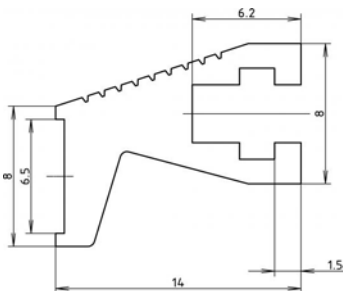
Scope of delivery: 1 part front panel, 1 handle, 2 PCB holders, 2 pressed-in alignment pins, mounting material
Note: Additional sizes on request.



Plug-in front panels, EMC, front natural-coloured anodised aluminium, passivated on rear with slot for EMC spring and pressed-in alignment pin

Model	Order no.	Note
ST/M 303-EMV	86803038	3 U, 3 HP
ST/M 304-EMV	86804038	3 U, 4 HP
ST/M 305-EMV	86805038	3 U, 5 HP
ST/M 306-EMV	86806038	3 U, 6 HP
ST/M 308-EMV	86808038	3 U, 8 HP
ST/M 309-EMV	86809038	3 U, 9 HP
ST/M 310-EMV	86810038	3 U, 10 HP
ST/M 312-EMV	86812038	3 U, 12 HP
ST/M 318-EMV	86818038	3 U, 18 HP
ST/M 321-EMV	86821038	3 U, 21 HP

Scope of delivery: 1 part front panel, 1 handle (3 U) / 2 handles (6 U), 2 PCB holders (3 U) / 4 PCB holders (6 U), 2 pressed-in alignment pins, mounting material
Note: Additional sizes on request. EMC springs FP/M as Interzoll Modul accessories.



Handle profile, natural-coloured anodised aluminium, metre profile

Model	Order no.
GRL/M 1000-AL	86081740

Scope of delivery: 1m handle profile
Note: Mounting material, fixing piece and BFS/M 1800, 1900 see Interzoll Modul chapter.

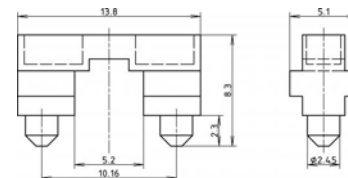
Part front panels / plug-in units

Fixing piece, plastic, black, for fixing the handle profile GRL to the front panel

Model	Order no.
FX/M	86081750

Scope of delivery: 20 fixing pieces

Note: Mounting in aluminium handle GRL/M with BFS/M 1800 / 1900 see Interzoll Modul chapter.



Interzoll PRO frame-type plug-in units, 3 U, natural-coloured anodised aluminium front panel, colourless passivated aluminium side profiles, galvanised steel cover plates, plain, galvanised steel rear panel with one slot, 3 U

Model	Order no.	Note
IZK/M 16308-RW1-P	85808311	3 U, 8 HP
IZK/M 16310-RW1-P	85810311	3 U, 10 HP
IZK/M 16312-RW1-P	85812311	3 U, 12 HP
IZK/M 16314-RW1-P	85814311	3 U, 14 HP
IZK/M 16321-RW1-P	85821311	3 U, 21 HP
IZK/M 16328-RW1-P	85828311	3 U, 28 HP
IZK/M 16342-RW1-P	85842311	3 U, 42 HP

Scope of delivery: 1 front panel with handle, 2 side panels, 2 top covers, 1 rear panel, mounting material

Note: Additional versions, 6 U, EMC or with hood on request.



Cover plates, perforated, galvanised sheet steel, for frame-type plug-in units, 3 U

Model	Order no.	Note
IZK/M 16008-ADL-P	86090812	8 HP
IZK/M 16010-ADL-P	86091012	10 HP
IZK/M 16012-ADL-P	86091212	12 HP
IZK/M 16014-ADL-P	86091412	14 HP
IZK/M 16021-ADL-P	86092112	21 HP
IZK/M 16028-ADL-P	86092812	28 HP
IZK/M 16042-ADL-P	86094212	42 HP

Scope of delivery: 1 cover plate



Cover plates, perforated, galvanised sheet steel, for PRO frame-type plug-in units, 3 U, to accommodate card guides

Model	Order no.	Note
IZK/M 16008-ADL-KF-P	86090813	8 HP
IZK/M 16010-ADL-KF-P	86091013	10 HP
IZK/M 16012-ADL-KF-P	86091213	12 HP
IZK/M 16014-ADL-KF-P	86091413	14 HP
IZK/M 16021-ADL-KF-P	86092113	21 HP
IZK/M 16028-ADL-KF-P	86092813	28 HP
IZK/M 16042-ADL-KF-P	86094213	42 HP

Scope of delivery: 1 cover plate



Card guides for cover plates IZK/M-ADL-KF, plastic, UL 94 V1, red

Model	Order no.	Note
IZK/M KF-160-P	86216030	For card depth 160 mm

Scope of delivery: 10 card guides



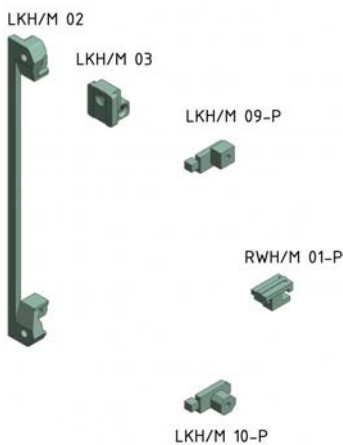
Part front panels / plug-in units



Rear panel open, 3 U, galvanised sheet steel, for IZK/M frame-type plug-in units

Model	Order no.	Note
IZK/M 00308-RWO-P	86090833	8 HP
IZK/M 00310-RWO-P	86091033	10 HP
IZK/M 00312-RWO-P	86091233	12 HP
IZK/M 00314-RWO-P	86091433	14 HP
IZK/M 00321-RWO-P	86092133	21 HP
IZK/M 00328-RWO-P	86092833	28 HP
IZK/M 00342-RWO-P	86094233	42 HP

Scope of delivery: 1 rear panel

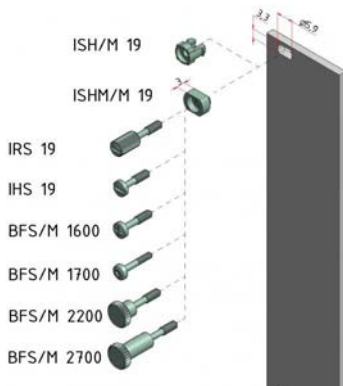


PCB and rear panel holder

Model	Order no.	Note
LKH/M 02	86080020	With 4 through holes for fixing front panels and circuit boards
LKH/M 03	86080030	With 2 M 2.5 threads for fixing of front panels and circuit boards
LKH/M 09-P	86080090	For frame-type plug-in unit IZK/M...-P, fixing to slot 1 (Included with the frame-type plug-in unit)
LKH/M 10-P	86080110	For frame-type plug-in unit IZK/M...-P, fixing to slot 2
RWH/M 01-P	86080120	Rear panel holders for cover plates for improved EMC contacting between rear panel and cover plate. Also increases stability of frame-type plug-in units.

Scope of delivery: 10 pieces. LKH/M 09-P/...10-P: 5 pairs (right/left)

Note: For mounting material for LKH/M 02 and 03, see Interzoll Modul chapter.



Mounting material for part front panels and plug-in units

Model	Order no.	Note
ISH/M 19	86080510	Plastic screwholder, PA 6, grey
ISHM/M 19	86080500	Metal screw holder, nickel-plated steel, for conductive contacting for riveting to the front panel
IRS 19	54700420	Slotted knurled screw SHR R M 2.5x11.3x6.3-SP
IHS 19	54700410	Collar screws SHR Z M 2.5x11.3x6.3-SP, slotted-head screw
BFS/M 1600	86000160	Collar screws, SHR Z M 2.5x12.3x6.5-SP, nickel-plated steel, recessed head screws
BFS/M 1700	86000170	Collar screws, SHR Z M 2.5x12.3x6.5-SP, nickel-plated steel, torx 8
BFS/M 2200	86000220	Knurled screw without slot, SHR R M 2.5x12.3x6.5-SPx18.3, nickel-plated steel,
BFS/M 2700	86000270	Knurled screw without slot, SHR R M 2.5x12.3x6.5-SPx25.3, anodised steel, for PF/M with long lip

Scope of delivery: IHS 19 / IRS 19 10 pieces, otherwise 20 pieces

