

# Interzoll



Detailed product information can be found on [www.bopla.de](http://www.bopla.de)



- Wide range of standard products
- Standard subracks for Euro and double Euro cards
- Railway-tested versions for use in buses and rail vehicles
- Special subracks can be produced quickly and flexibly
- Part and plug-in front panels
- Frame-type plug-in units
- Comprehensive range of accessories

**Colour:**

Profiles, natural-coloured anodised aluminium

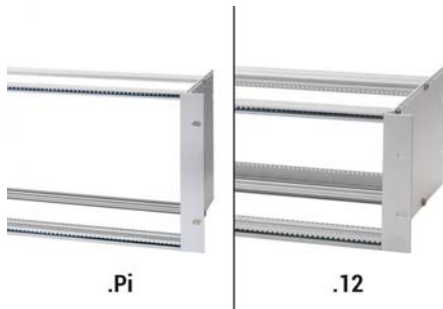
**Protection class:**

Up to IP 40/DIN EN 60529 to the installation area

**Enclosure material:**

Profile Al Mg: Si 0.5; for details see Technical Information

# The sturdy 19" subracks are ideal for basic applications.



Versions for backplane technology (.Pi) for direct screw-on connectors (.12) acc. to DIN EN 60603-2, for plug-in units acc. to IEC 60297-3-101.



All profiles for bus or connector technology can be displaced in depth by 10 mm in each case.



Variants with railway approval are available.



Allen screws with securing washers ensure secure screwing of the side panels / profile rails for a railway-tested version.



Optional profile side walls with integrated flange and rear cover provide high levels of mechanical stability (railway-tested version) and cost-effectiveness.



Locking of the card guides is by means of snap bolts which can easily be released by finger activation. Easy operation even when the slots are close together.



On request we can supply special dimensions, modifications and complete mounting.



Double profiles ensure fast, efficient mounting.



Additional mounting option above the profiles by means of a tapped strip (GS-II).

# Interzoll | 3 U

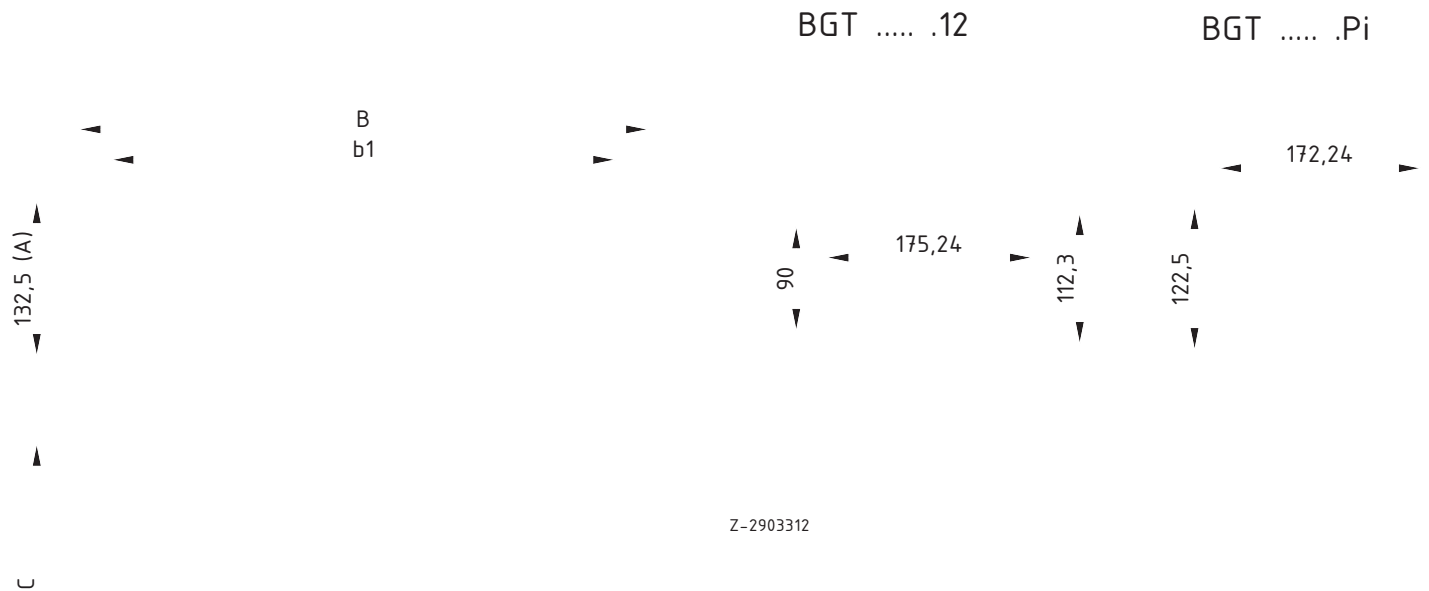


Subrack, 3 U, for backplanes (.Pi) and connectors, DIN EN 60603-2 (.12)

Model	Order no.	A	B	C	b1	U	HP
BGT 18340.Pi	53183420	132,5	269,24	178,24	213,36	3	42
BGT 24340.Pi	53243420	132,5	269,24	238,24	213,36	3	42
BGT 30340.Pi	53303420	132,5	269,24	298,24	213,36	3	42
BGT 18360.Pi	53183620	132,5	375,92	178,24	320,04	3	63
BGT 24360.Pi	53243620	132,5	375,92	238,24	320,04	3	63
BGT 30360.Pi	53303620	132,5	375,92	298,24	320,04	3	63
BGT 18380.Pi	53183820	132,5	482,6	178,24	426,72	3	84
BGT 24380.Pi	53243820	132,5	482,6	238,24	426,72	3	84
BGT 30380.Pi	53303820	132,5	482,6	298,24	426,72	3	84
BGT 18340.12	53183400	132,5	269,24	178,24	213,36	3	42
BGT 24340.12	53243400	132,5	269,24	238,24	213,36	3	42
BGT 30340.12	53303400	132,5	269,24	298,24	213,36	3	42
BGT 18360.12	53183600	132,5	375,92	178,24	320,04	3	63
BGT 24360.12	53243600	132,5	375,92	238,24	320,04	3	63
BGT 30360.12	53303600	132,5	375,92	298,24	320,04	3	63
BGT 18380.12	53183800	132,5	482,6	178,24	426,72	3	84
BGT 24380.12	53243800	132,5	482,6	238,24	426,72	3	84
BGT 30380.12	53303800	132,5	482,6	298,24	426,72	3	84

Scope of delivery: 2 side panels, 2 flanges, 2 front profiles including tapped strips, 2 bus profiles including tapped strips (.Pi) / 2 rear profiles (.12), mounting material

Note: Subrack with handle on request.



# Interzoll | 3 U

Subrack with profile side panel, 3 U, for backplanes (.Pi) and connector DIN EN 60603-2 (.12)



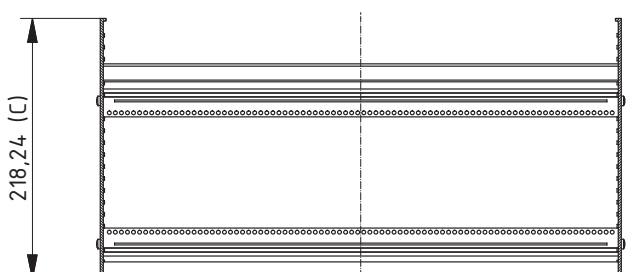
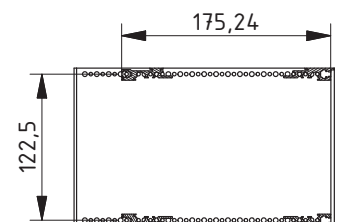
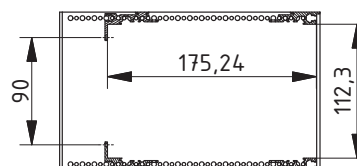
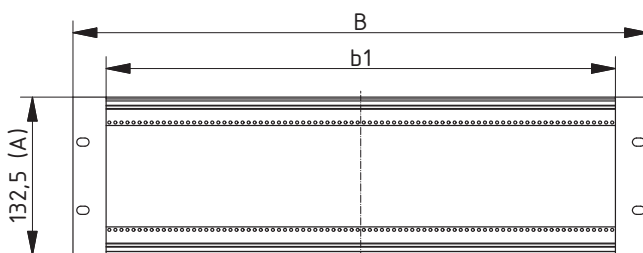
Model	Order no.	A	B	C	b1	U	HP
BGT 22340.Pi	53223420	132,5	269,24	218,24	213,36	3	42
BGT 22360.Pi	53223620	132,5	375,92	218,24	320,04	3	63
BGT 22380.Pi	53223820	132,5	482,6	218,24	426,72	3	84
BGT 22340.12	53223400	132,5	269,24	218,24	213,36	3	42
BGT 22360.12	53223600	132,5	375,92	218,24	320,04	3	63
BGT 22380.12	53223800	132,5	482,6	218,24	426,72	3	84

Scope of delivery: 2 profile side walls with integrated flange, 2 front profiles, 2 bus profiles (.Pi) / 2 rear profiles (.12), mounting material

Note: Tapped strips as accessories. Backplane mounting without insulating strips. Subrack with handle on request.

BGT 22... .12

BGT 22... .Pi



Z-2903313

For accessories, please see the end of the chapter

# Interzoll | 3 U

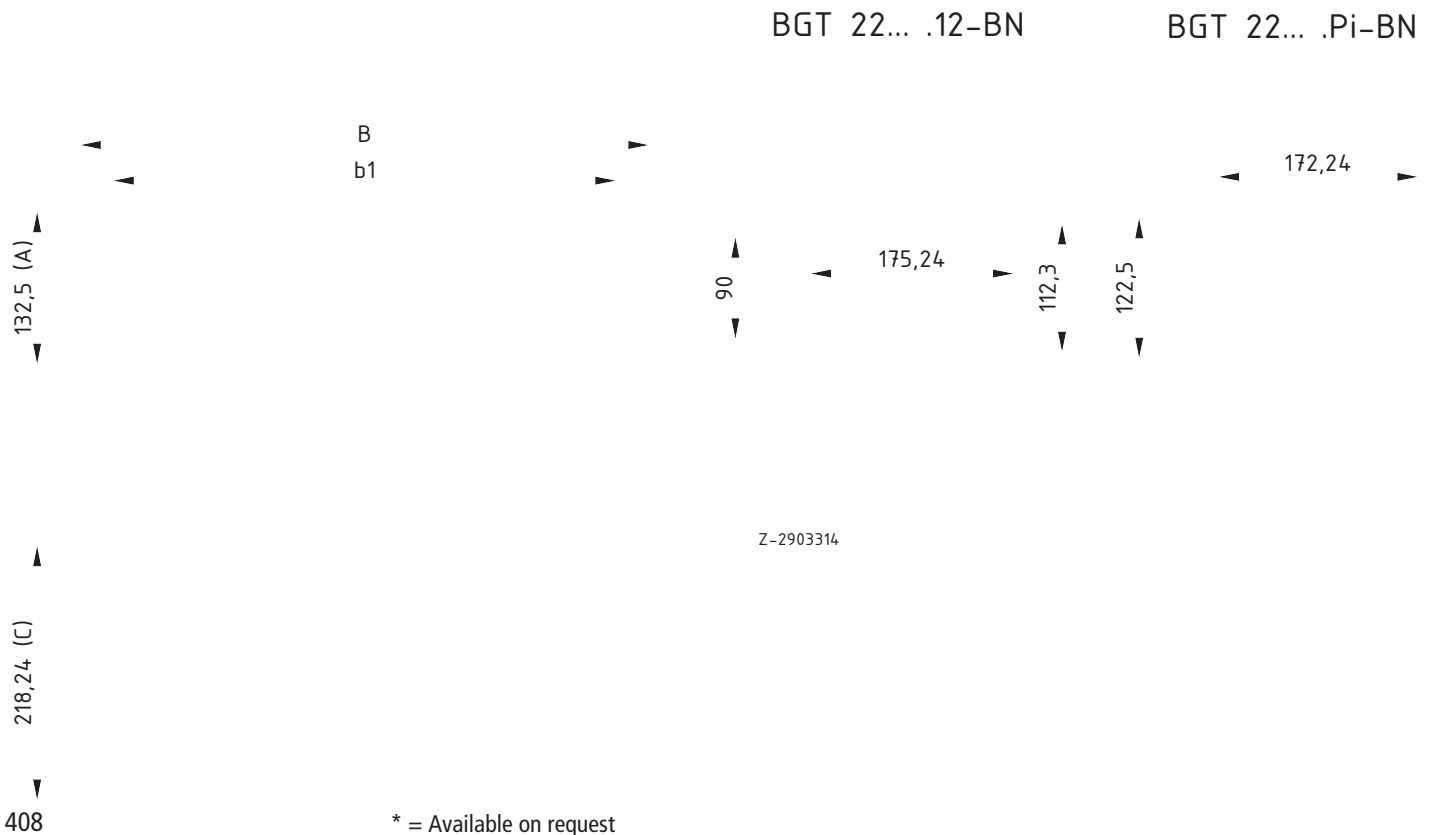


Subrack with profile side panel, 3 U, for backplanes or connector DIN EN 60603-2 for high mechanical load, tested to Federal Railway standard BN 411 002

Model	Order no.	A	B	C	b1	U	HP
BGT 22340.Pi-BN	<b>53223450</b>	132,5	269,24	218,24	213,36	3	42
BGT 22360.Pi-BN	<b>53223650</b>	132,5	375,92	218,24	320,04	3	63
BGT 22380.Pi-BN	<b>53223850</b>	132,5	482,6	218,24	426,72	3	84
BGT 22340.12-BN	<b>53223460</b>	132,5	269,24	218,24	213,36	3	42
BGT 22360.12-BN	<b>53223660</b>	132,5	375,92	218,24	320,04	3	63
BGT 22380.12-BN	<b>53223860</b>	132,5	482,6	218,24	426,72	3	84

Scope of delivery: 2 profile side walls with integrated flanges, 2 front profiles including tapped strips, 2 bus profiles including tapped strips (.Pi) / 2 rear profiles (.12), mounting material

Note: Tested to Federal Railway standard BN 411 002. Approved for all electronic equipment on rail and bus vehicles. Approval test IABG-Ottobrunn for type BGT 22380.Pi/12-BN.



# Interzoll | 6 U

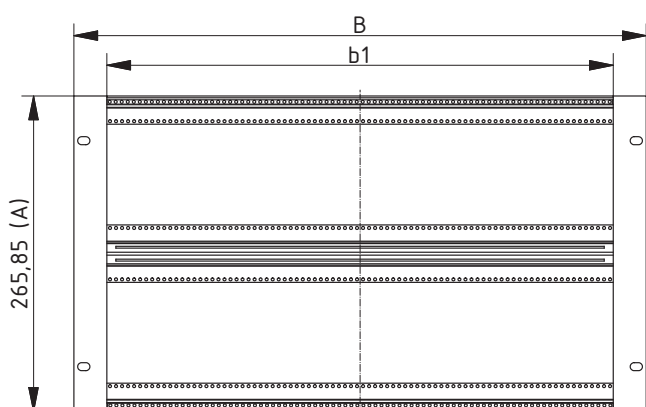
Subrack, 6 U, for backplanes (.Pi) and connectors, DIN EN 60603-2 (.12)



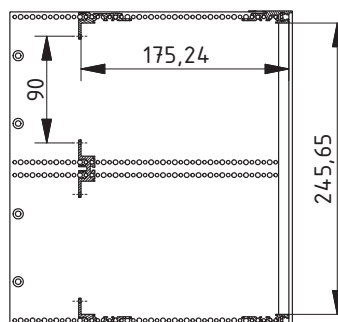
Model	Order no.	A	B	C	b1	U	HP
BGT 18640.Pi	53186420	265,85	269,24	178,24	213,36	6	42
BGT 24640.Pi	53246420	265,85	269,24	238,24	213,36	6	42
BGT 30640.Pi	53306420	265,85	269,24	298,24	213,36	6	42
BGT 18660.Pi	53186620	265,85	375,92	178,24	320,04	6	63
BGT 24660.Pi	53246620	265,85	375,92	238,24	320,04	6	63
BGT 30660.Pi	53306620	265,85	375,92	298,24	320,04	6	63
BGT 18680.Pi	53186820	265,85	482,6	178,24	426,72	6	84
BGT 24680.Pi	53246820	265,85	482,6	238,24	426,72	6	84
BGT 30680.Pi	53306820	265,85	482,6	298,24	426,72	6	84
BGT 18640.12	53186400	265,85	269,24	178,24	213,36	6	42
BGT 24640.12	53246400	265,85	269,24	238,24	213,36	6	42
BGT 30640.12	53306400	265,85	269,24	298,24	213,36	6	42
BGT 18660.12	53186600	265,85	375,92	178,24	320,04	6	63
BGT 24660.12	53246600	265,85	375,92	238,24	320,04	6	63
BGT 30660.12	53306600	265,85	375,92	298,24	320,04	6	63
BGT 18680.12	53186800	265,85	482,6	178,24	426,72	6	84
BGT 24680.12	53246800	265,85	482,6	178,24	426,72	6	84
BGT 30680.12	53306800	265,85	482,6	298,24	426,72	6	84

Scope of delivery: 2 side panels, 2 flanges, 2 front profiles including tapped strips, 2 bus profiles and 1 double bus profile including tapped strips (.Pi) / 2 rear profiles and 1 double connector profile (.12), mounting material

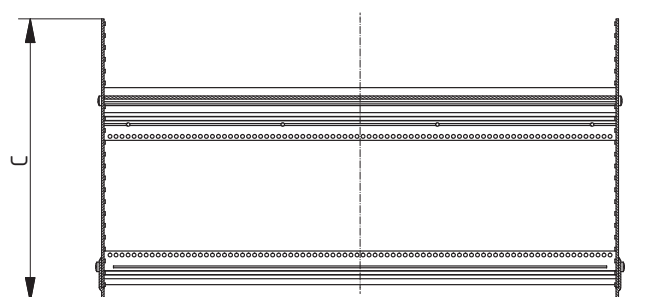
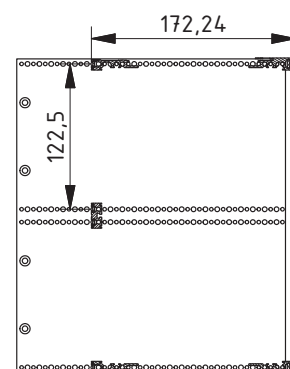
Note: Subrack with handle on request.



BGT .... .12



BGT .... .Pi



Z-2903306

# Interzoll | 6 U

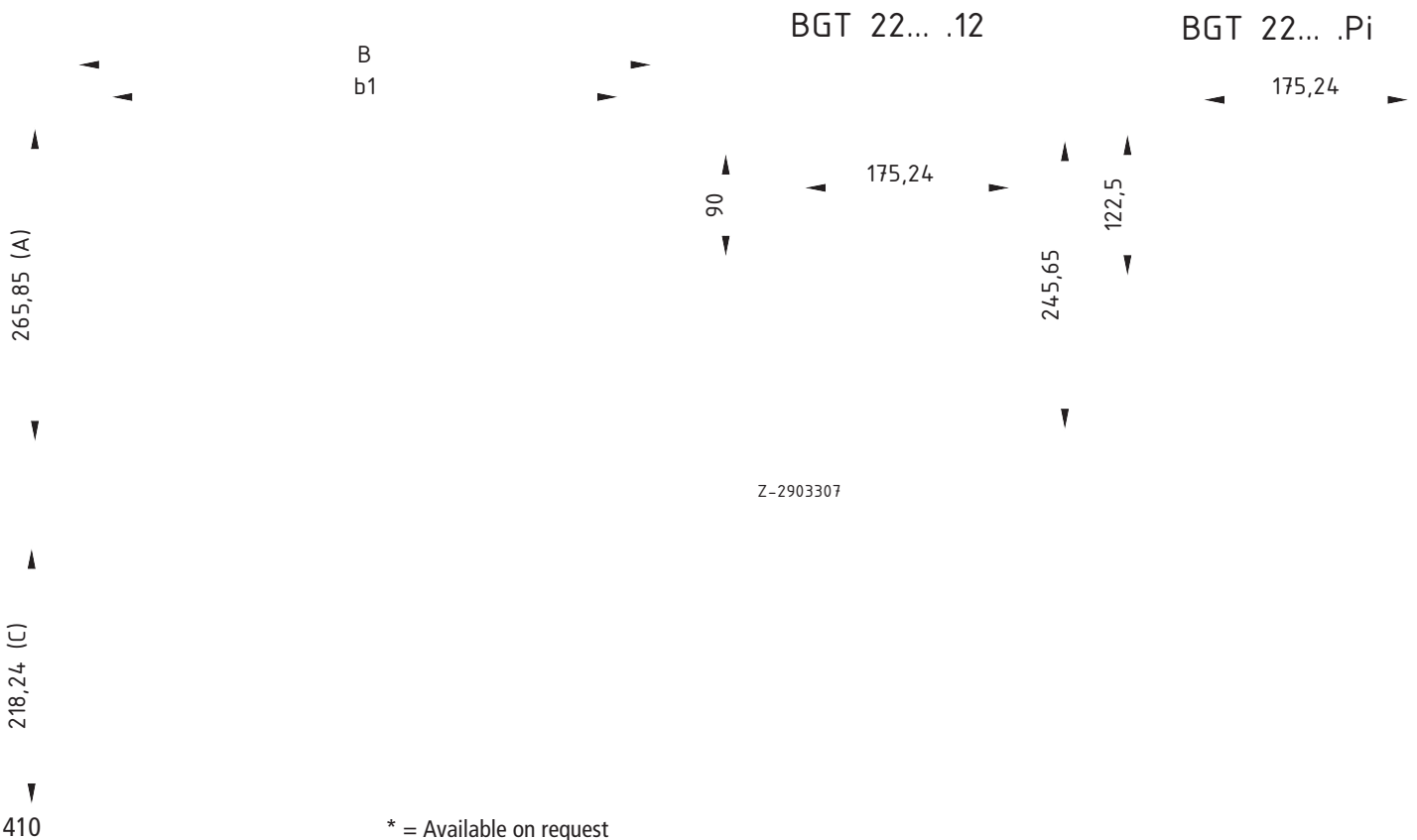


Subrack with profile side panel, 6 U, for backplanes (.Pi) and connector DIN EN 60603-2 (.12)

Model	Order no.	A	B	C	b1	U	HP
BGT 22640.Pi	<b>53226420</b>	265,85	269,24	218,24	213,36	6	42
BGT 22660.Pi	<b>53226620</b>	265,85	375,92	218,24	320,04	6	63
BGT 22680.Pi	<b>53226820</b>	265,85	482,6	218,24	426,72	6	84
BGT 22640.12	<b>53226400</b>	265,85	269,24	218,24	213,36	6	42
BGT 22660.12	<b>53226600</b>	265,85	375,92	218,24	320,04	6	63
BGT 22680.12	<b>53226800</b>	265,85	482,6	218,24	426,72	6	84

Scope of delivery: 2 profile side walls with integrated flange, 2 front profiles, 2 bus profiles and 1 double bus profile (Pi.) / 2 rear profiles and 1 double connector profile (.12), mounting material

Note: Tapped strips as accessories. Backplane mounting without insulating strips. Subrack with handle on request.



\* = Available on request

# Interzoll | Accessories

Tapped strips, galvanised steel, M2.5, 7 x 2 mm, for part front panel fixing

Model	Order no.	Note
GS 00042-I	54000421	42 HP
GS 00063-I	54000631	63 HP
GS 00084-I	54000841	84 HP

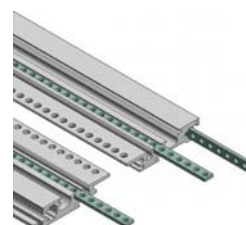
Scope of delivery: 2 tapped strips



Tapped strips, galvanised steel, M2.5, 5 x 1.5 mm, for horizontal profile grooves and rear fixing of backplanes, insulating strips and Z rails

Model	Order no.	Note
GS 00042-II	54000422	42 HP
GS 00063-II	54000632	63 HP
GS 00084-II	54000842	84 HP

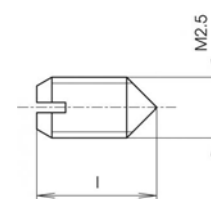
Scope of delivery: 2 tapped strips



Slotted set screw M2.5 x 8 / M2.5 x 5, V2A, for positioning and earthing the tapped strip

Model	Order no.	Note
GSE-5	54700390	Length 5 mm
GSE-8	54700395	Length 8 mm

Scope of delivery: 10 slotted set screws



Insulated plastic, UL 94 V1, for insulated fixing of backplanes

Model	Order no.	Note
IS 00021	54000121	21 HP
IS 00042	54000142	42 HP

Scope of delivery: 2 insulating strips

Note: To achieve the necessary insertion depth when using bus profile rails.



Card guides, one and three parts, plastic, UL 94 V1 green

Model	Order no.	Note
KF 160	54700160	Card depth 160, one piece
KF 220-K	54700225	Card depth 220, three pieces

Scope of delivery: 10 card guides

Note: Snap-in / optionally screwable with GS...II and BFS 0300 (See Interzoll accessories chapter). Three-part card guide in special lengths on request.

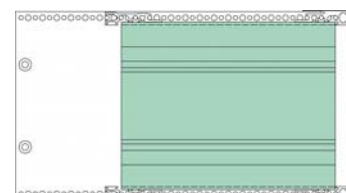


Partition, 3 U, screwable, with slots for GS...II, natural-coloured anodised aluminium, for separating defined sections

Model	Order no.	Note
TP 16300	54016300	Card depth 160, 3 U

Scope of delivery: 1 partition including mounting material

Note: Integrated mounting grooves for GS...II. Additional sizes on request.





## Interzoll | Accessories



### Side panels, passivated aluminium, without flange

Model	Order no.	Note
BSW 18300	54018300	3 U, depth 178
BSW 24300	54024300	3 U, depth 238
BSW 30300	54030300	3 U, depth 298
BSW 18600	54018600	6 U, depth 178
BSW 24600	54024600	6 U, depth 238
BSW 30600	54030600	6 U, depth 298

Scope of delivery: 1 side panel

Note: Additional types on request.



### Side panels, natural-coloured anodised aluminium, with integrated flange

Model	Order no.	Note
BSW 22300	54022030	3 U, depth 218
BSW 22600	54022600	6 U, depth 218

Scope of delivery: 1 side panel

Note: More versions, also with handle drill holes, on request.



### Plain cover plates, galvanised sheet steel, visible surface light grey lacquered

Model	Order no.	C	Note
ADG 06042	54960420	63	42 HP
ADG 06063	54960630	63	63 HP
ADG 06084	54960840	63	84 HP
ADG 12084	54912840	123	84 HP
ADG 18042	54918420	183	42 HP
ADG 18063	54918630	183	63 HP
ADG 18084	54918840	183	84 HP

Scope of delivery: 1 cover plate

Note: On the BGT 22..., the ADG is inserted from the side. Clamp profile set EPS is required for mounting on all other subracks. C = depth in mm.

#### Enclosure Card guide

BGT 183.. -  
 BGT 183.. KF 160  
 BGT 243.. KF 160  
 BGT 243.. KF 160 / KF 220-K  
 BGT 303.. KF 160  
 BGT 303.. KF 220-K  
 BGT 303.. KF 160 / KF 220-K / KF 280-K  
 BGT 363.. KF 160  
 BGT 363.. KF 220-K  
 BGT 363.. KF 280-K  
 BGT 363.. KF 160 / KF 220-K / KF 280-K / KF 340-K

#### Continuous ADG

ADG 130..

ADG 190..

ADG 250..

ADG 310..

#### Combination ADG split

ADG 060.. with ADG 060..

ADG 120.. with ADG 060..

ADG 120.. with ADG 120..  
 ADG 180.. with ADG 060..

ADG 120.. with ADG 180..  
 ADG 180.. with ADG 120..  
 ADG 240.. with ADG 060..

# Interzoll | Accessories

Perforated cover plates, galvanised lacquered sheet steel, light grey, hole dia. 2,5 mm

Model	Order no.	C	Note
ADG 06042-L	54960421	63	42 HP
ADG 06063-L	54960631	63	63 HP
ADG 06084-L	54960841	63	84 HP
ADG 12063-L	54912631	123	63 HP
ADG 12084-L	54912841	123	84 HP
ADG 18084-L	54918841	183	84 HP

Scope of delivery: 1 cover plate

Note: On the BGT 22..., the ADG is inserted from the side. Clamp profile set EPS is required for mounting on all other subracks. C = depth in mm.



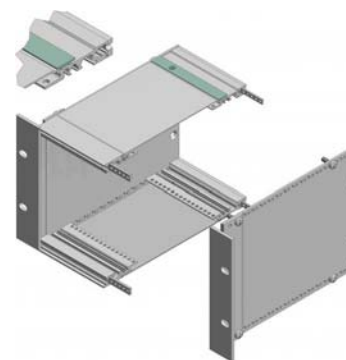
## Enclosure Card guide

	Continuous ADG	Combination ADG split
BGT 183.. -		ADG 060.. with ADG 060..
BGT 183.. KF 160	ADG 130..	
BGT 243.. KF 160		ADG 120.. with ADG 060..
BGT 243.. KF 160 / KF 220-K	ADG 190..	
BGT 303.. KF 160		ADG 120.. with ADG 120..
BGT 303.. KF 220-K		ADG 180.. with ADG 060..
BGT 303.. KF 160 / KF 220-K / KF 280-K	ADG 250..	
BGT 363.. KF 160		ADG 120.. with ADG 180..
BGT 363.. KF 220-K		ADG 180.. with ADG 120..
BGT 363.. KF 280-K		ADG 240.. with ADG 060..
BGT 363.. KF 160 / KF 220-K / KF 280-K / KF 340-K	ADG 310..	

Clamp profile sets, natural-coloured anodised aluminium, for screwing on of the cover plates

Model	Order no.	Note
EPS 00042	54002420	42 HP
EPS 00063	54002630	63 HP
EPS 00084	54002840	84 HP

Scope of delivery: 2 clamp profiles including mounting material

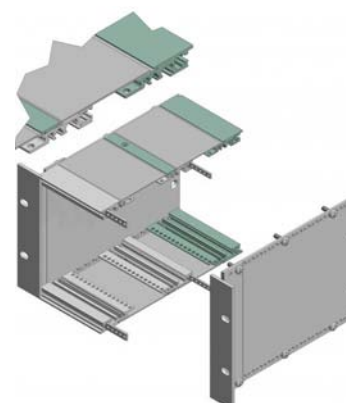


Clamp profile sets-I, natural-coloured anodised aluminium, for screwing on 2 cover plates behind each other

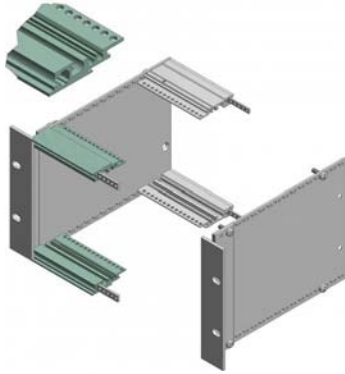
Model	Order no.	Note
EPS 00042-I	54002421	42 HP
EPS 00063-I	54002631	63 HP
EPS 00084-I	54002841	84 HP

Scope of delivery: 2 clamp profiles, 2 front profiles, mounting material

Note: Front profiles for rear ADG mounting and cover.



## Interzoll | Accessories

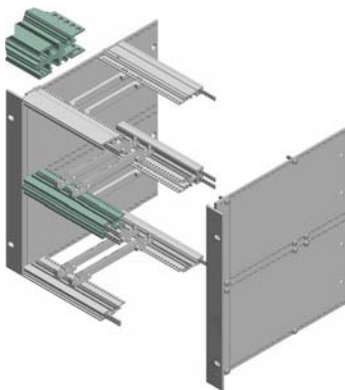


### Front profiles, natural-coloured anodised aluminium

Model	Order no.	Note
PF 00042	54200042	42 HP
PF 00063	54200063	63 HP
PF 00084	54200084	84 HP

Scope of delivery: 1 front profile

Note: Additional sizes on request.

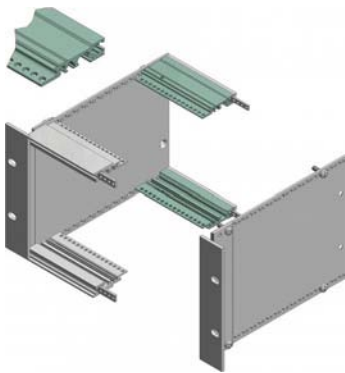


### Double front profiles, natural-coloured anodised aluminium, for dividing a BGT 6 U into 2 x 3 U

Model	Order no.	Note
PFD 00042	54210042	42 HP
PFD 00063	54210063	63 HP
PFD 00084	54210084	84 HP

Scope of delivery: 1 double front profile

Note: Additional sizes on request.



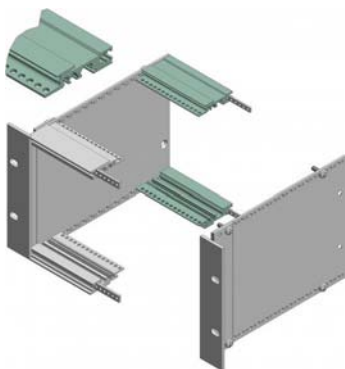
### Bus profiles, natural-coloured anodised aluminium, for indirect backplane fixing

Model	Order no.	Note
PB 00042	54300042	42 HP
PB 00063	54300063	63 HP
PB 00084	54300084	84 HP

Scope of delivery: 1 bus profile

Note: Additional sizes on request.

Please order insulating strips separately.



### Bus profiles with an integrated insulating strip clearance and clamp profile for ADG, natural-coloured anodised aluminium, for backplane fixing

Model	Order no.	Note
PBK 00042	54300142	42 HP
PBK 00063	54300163	63 HP
PBK 00084	54300184	84 HP

Scope of delivery: 1 bus profile

Note: Additional sizes on request.

## Interzoll | Accessories

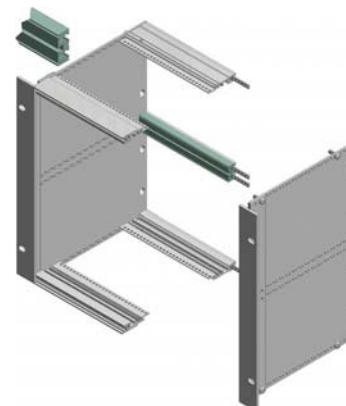
Double bus profiles for subracks, 6 U, natural-coloured anodised aluminium, for backplane fixing

Model	Order no.	Note
PBD 00642	54300642	42 HP
PBD 00663	54300663	63 HP
PBD 00684	54300684	84 HP

Scope of delivery: 1 double bus profile

Note: Additional sizes on request.

Please order insulating strips separately.



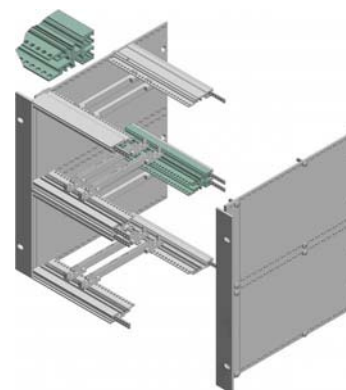
Double bus profiles, natural-coloured anodised aluminium, for fitting of backplanes in BGT 6 U divided into 2 x 3 U

Model	Order no.	Note
PBD 00342	54300342	42 HP
PBD 00363	54300363	63 HP
PBD 00384	54300384	84 HP

Scope of delivery: 1 double bus profile

Note: Additional sizes on request.

Please order insulating strips separately.

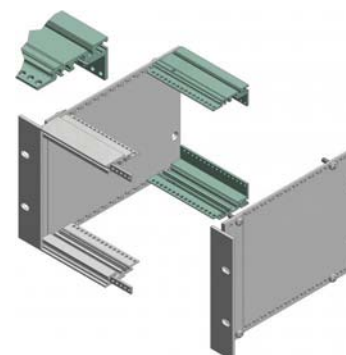


Rear profiles, natural-coloured anodised aluminium, for connectors acc. to DIN EN 60603-2 (previously DIN 41612)

Model	Order no.	Note
PR 00042.12	54304200	42 HP
PR 00063.12	54306300	63 HP
PR 00084.12	54308400	84 HP

Scope of delivery: 1 rear profile

Note: Additional sizes on request.

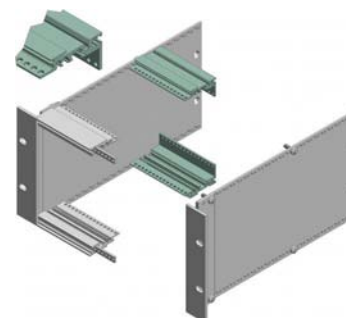


Rear profiles, natural-coloured anodised aluminium, for connectors acc. to DIN EN 60603-2 (previously DIN 41612), with integrated clamp profile

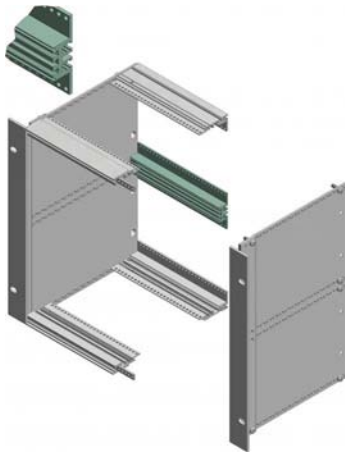
Model	Order no.	Note
PRK 00042.12	54364200	42 HP
PRK 00063.12	54366300	63 HP
PRK 00084.12	54368400	84 HP

Scope of delivery: 1 rear profile

Note: Additional sizes on request.



## Interzoll | Accessories

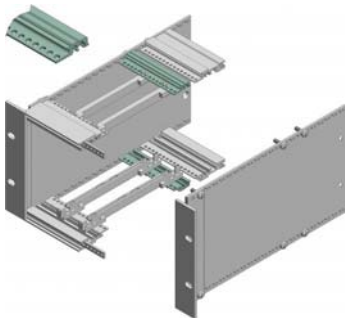


Double rear profiles, natural-coloured anodised aluminium, for connectors acc. to DIN EN 60603-2 (previously DIN 41612)

Model	Order no.	Note
PSD 00642.12	54306420	42 HP
PSD 00663.12	54306630	63 HP
PSD 00684.12	54306840	84 HP

Scope of delivery: 1 double rear profile

Note: Additional sizes on request.

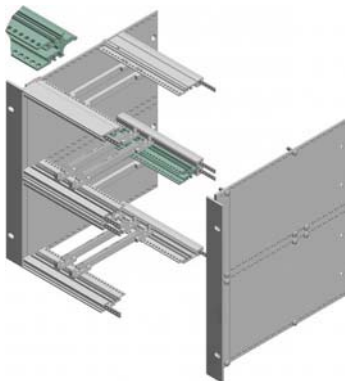


Snap profiles, natural-coloured anodised aluminium, for holding card guides

Model	Order no.	Note
RP 00042	54400042	42 HP
RP 00063	54400063	63 HP
RP 00084	54400084	84 HP

Scope of delivery: 1 snap profile

Note: Additional sizes on request.

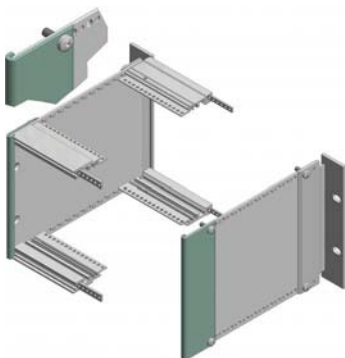


Double snap profiles, natural-coloured anodised aluminium, for dividing a BGT 6 U into 2 x 3 U, snaps into PSD or PBD

Model	Order no.	Note
RPD 00342	54400342	42 HP
RPD 00363	54400363	63 HP
RPD 00384	54400384	84 HP

Scope of delivery: 1 double snap profile

Note: Additional sizes on request.



End profile on rear, natural-coloured anodised aluminium, for subrack side panels

Model	Order no.	Note
RAP 00300	54000300	3 U
RAP 00600	54000600	6 U

Scope of delivery: 2 end profiles

Note: Additional sizes on request.

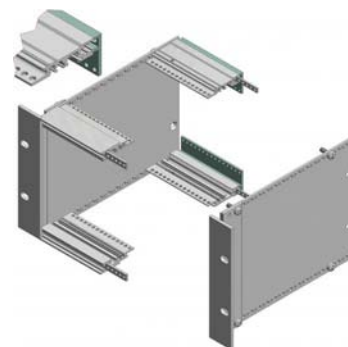
## Interzoll | Accessories

Z-rails, natural-coloured anodised aluminium, for connectors acc. to DIN EN 60603-2 (formerly DIN 41612)

Model	Order no.	Note
ZS 00042	54001420	42 HP
ZS 00063	54001630	63 HP
ZS 00084	54001840	84 HP

Scope of delivery: 2 Z-rails

Note: For conversion or extension of a backplane level to a mounting level for connectors acc. to DIN EN 60603-2. Additional sizes on request.

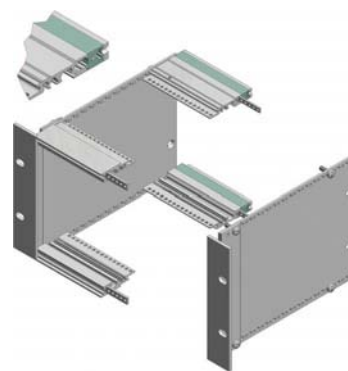


Adapter profiles, natural-coloured anodised aluminium, for extending the insertion depth acc. to DIN EN 60603-2, types F, G, U, V

Model	Order no.	Note
AP 00042	54000420	42 HP
AP 00063	54000630	63 HP
AP 00084	54000840	84 HP

Scope of delivery: 2 adapter profiles

Note: Additional sizes on request.

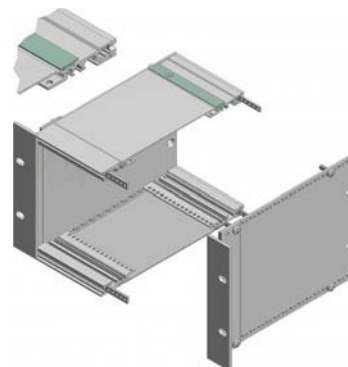


Integrated clamp profiles, natural-coloured anodised aluminium, for fixing the ADG cover plates to the subrack

Model	Order no.	Note
KL 00042	54600042	42 HP
KL 00063	54600063	63 HP
KL 00084	54600084	84 HP

Scope of delivery: 1 integrated clamp profile

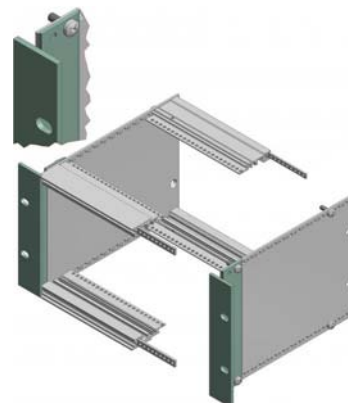
Note: For use for profiles PB, PR, RP. Additional sizes on request.



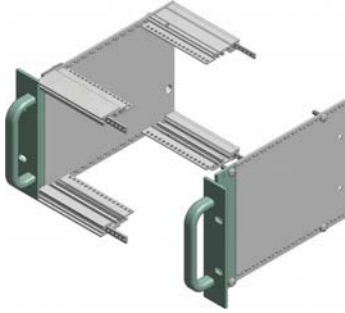
Flanges 3 / 6 U for mounting with subrack side panels

Model	Order no.	Note
FL 00300	54600300	3 U
FL 00600	54600600	6 U

Scope of delivery: 2 flanges



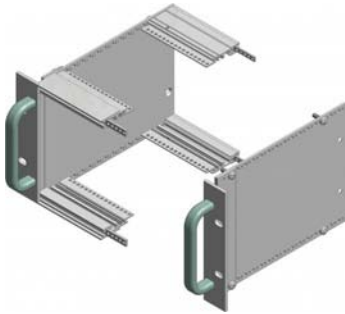
## Interzoll | Accessories



Flanges 3 / 6 U for mounting with subrack side panels with handle drill holes

Model	Order no.	Note
FLG 00300	54600310	3 U
FLG 00600	54600610	6 U

Scope of delivery: 2 flanges, incl. 2 handles and mounting material



Handles for subracks, natural-coloured anodised aluminium

Model	Order no.	Note
GR 00300	54600320	3 U
GR 00600	54600620	6 U

Scope of delivery: 2 handles including mounting material

# Interzoll | Accessories

## Interzoll mounting material

Model	Order no.	Note
KM 5	54700350	M5 cage nut for fitting of BGT / FPS in the enclosure or cabinet
KS 5	54700360	M5 cross-head screw for fitting of BGT / FPS in the enclosure or cabinet
KU 5	54700370	Washer for KS 5, nickel-plated brass
BFS 0100	54700010	Recessed head screw M 4x12 for Interzoll profiles
BFS 0200	54700020	Countersunk screw M 3x5, cross-head, for fixing of clamp profiles
BFS 0300	54700030	Cheese-head screw M 2.5x8, slotted, for fixing of card earthing, card guide, insulating strip and Z rails
BFS 0400	54700031	Recessed head screws M 4x12 for Interzoll-Plus profiles
BFS 0600	54700033	Allen cheese-head screw M 4x20 for profile rails in railway-tested version
BFS 0700	54700034	Securing washer, Ø 4.3 mm, Allen screw BFS 0600

Scope of delivery: KM, KS and KU 10 pieces; BFS 20 pieces



KM 5



KS 5



KU 5



BFS 0100



BFS 0200



BFS 0300



BFS 0400



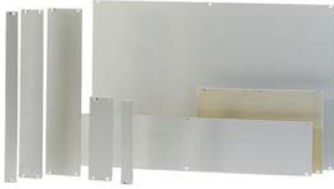
BFS 0600



BFS 0700



## Part front panels / plug-in units



Part front panels, natural-coloured anodised aluminium, passivated on rear

Model	Order no.	Note
TF/M 242	86842023	2 U, 42 HP
TF/M 263	86863023	2 U, 63 HP
TF/M 284	86884023	2 U, 84 HP
TF/M 302	86802033	3 U, 2 HP
TF/M 303	86803033	3 U, 3 HP
TF/M 304	86804033	3 U, 4 HP
TF/M 306	86806033	3 U, 6 HP
TF/M 307	86807033	3 U, 7 HP
TF/M 308	86808033	3 U, 8 HP
TF/M 310	86810033	3 U, 10 HP
TF/M 312	86812033	3 U, 12 HP
TF/M 314	86814033	3 U, 14 HP
TF/M 318	86818033	3 U, 18 HP
TF/M 319	86819033	3 U, 19 HP
TF/M 320	86820033	3 U, 20 HP
TF/M 321	86821033	3 U, 21 HP
TF/M 328	86828033	3 U, 28 HP
TF/M 340	86840033	3 U, 40 HP
TF/M 342	86842033	3 U, 42 HP
TF/M 363	86863033	3 U, 63 HP
TF/M 384	86884033	3 U, 84 HP
TF/M 484	86884043	4 U, 84 HP
TF/M 604	86804063	6 U, 4 HP
TF/M 605	86805063	6 U, 5 HP
TF/M 608	86808063	6 U, 8 HP
TF/M 628	86828063	6 U, 28 HP
TF/M 642	86842063	6 U, 42 HP
TF/M 684	86884063	6 U, 84 HP

Scope of delivery: 1 part front panel

Note: Special sizes on request. Screw holders and collar screws as accessories.



Front panels, 3 / 6 U, collapsible, front natural-coloured anodised aluminium, passivated on rear

Model	Order no.	Note
TF/M 342-K	86842038	3 U, 42 HP
TF/M 363-K	86863038	3 U, 63 HP
TF/M 384-K	86884038	3 U, 84 HP
TF/M 642-K	86842068	6 U, 42 HP
TF/M 663-K	86863068	6 U, 63 HP
TF/M 684-K	86884068	6 U, 84 HP

Scope of delivery: 1 front panel, 1 hinge set, 3 metal screw holders, 3 knurled screws BFS/M 2200, mounting material

## Part front panels / plug-in units

Plug-in front panels, front natural-coloured anodised aluminium, passivated on rear, incl. handles, plastic, UL 94 V 0, light grey

Model	Order no.	Note
ST/M 303	86803037	3 U, 3 HP
ST/M 304	86804037	3 U, 4 HP
ST/M 305	86805037	3 U, 5 HP
ST/M 306	86806037	3 U, 6 HP
ST/M 308	86808037	3 U, 8 HP
ST/M 309	86809037	3 U, 9 HP
ST/M 310	86810037	3 U, 10 HP
ST/M 312	86812037	3 U, 12 HP
ST/M 318	86818037	3 U, 18 HP
ST/M 321	86821037	3 U, 21 HP

Scope of delivery: 1 part front panel, 1 handle, 2 PCB holders, 2 pressed-in alignment pins, mounting material

Note: Additional sizes on request.

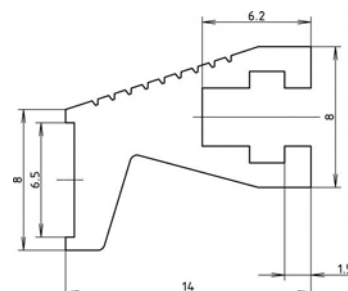


## Handle profile, natural-coloured anodised aluminium, metre profile

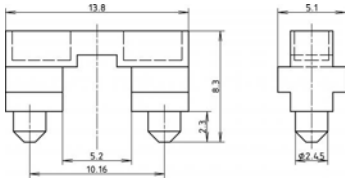
Model	Order no.
GRL/M 1000-AL	86081740

Scope of delivery: 1m handle profile

Note: Mounting material, fixing piece and BFS/M 1800, 1900 see Interzoll Modul chapter.



## Part front panels / plug-in units



Fixing piece, plastic, black, for fixing the handle profile GRL to the front panel

Model	Order no.
FX/M	86081750

Scope of delivery: 20 fixing pieces

Note: Mounting in aluminium handle GRL/M with BFS/M 1800 / 1900 see Interzoll Modul chapter.



Interzoll PRO frame-type plug-in units, 3 U, natural-coloured anodised aluminium front panel, colourless passivated aluminium side profiles, galvanised steel cover plates, plain, galvanised steel rear panel with one slot, 3 U

Model	Order no.	Note
IZK/M 16308-RW1-P	85808311	3 U, 8 HP
IZK/M 16310-RW1-P	85810311	3 U, 10 HP
IZK/M 16312-RW1-P	85812311	3 U, 12 HP
IZK/M 16314-RW1-P	85814311	3 U, 14 HP
IZK/M 16321-RW1-P	85821311	3 U, 21 HP
IZK/M 16328-RW1-P	85828311	3 U, 28 HP
IZK/M 16342-RW1-P	85842311	3 U, 42 HP

Scope of delivery: 1 front panel with handle, 2 side panels, 2 top covers, 1 rear panel, mounting material

Note: Additional versions, 6 U, EMC or with hood on request.



Cover plates, perforated, galvanised sheet steel, for frame-type plug-in units, 3 U

Model	Order no.	Note
IZK/M 16008-ADL-P	86090812	8 HP
IZK/M 16010-ADL-P	86091012	10 HP
IZK/M 16012-ADL-P	86091212	12 HP
IZK/M 16014-ADL-P	86091412	14 HP
IZK/M 16021-ADL-P	86092112	21 HP
IZK/M 16028-ADL-P	86092812	28 HP
IZK/M 16042-ADL-P	86094212	42 HP

Scope of delivery: 1 cover plate



Cover plates, perforated, galvanised sheet steel, for PRO frame-type plug-in units, 3 U, to accommodate card guides

Model	Order no.	Note
IZK/M 16008-ADL-KF-P	86090813	8 HP
IZK/M 16010-ADL-KF-P	86091013	10 HP
IZK/M 16012-ADL-KF-P	86091213	12 HP
IZK/M 16014-ADL-KF-P	86091413	14 HP
IZK/M 16021-ADL-KF-P	86092113	21 HP
IZK/M 16028-ADL-KF-P	86092813	28 HP
IZK/M 16042-ADL-KF-P	86094213	42 HP

Scope of delivery: 1 cover plate



Card guides for cover plates IZK/M-ADL-KF, plastic, UL 94 V1, red

Model	Order no.	Note
IZK/M KF-160-P	86216030	For card depth 160 mm

Scope of delivery: 10 card guides

# Part front panels / plug-in units

Rear panel open, 3 U, galvanised sheet steel, for IZK/M frame-type plug-in units

Model	Order no.	Note
IZK/M 00308-RWO-P	86090833	8 HP
IZK/M 00310-RWO-P	86091033	10 HP
IZK/M 00312-RWO-P	86091233	12 HP
IZK/M 00314-RWO-P	86091433	14 HP
IZK/M 00321-RWO-P	86092133	21 HP
IZK/M 00328-RWO-P	86092833	28 HP
IZK/M 00342-RWO-P	86094233	42 HP

Scope of delivery: 1 rear panel

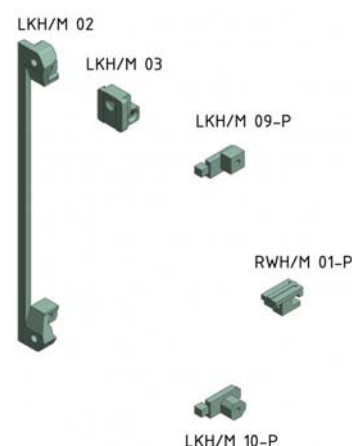


PCB and rear panel holder

Model	Order no.	Note
LKH/M 02	86080020	With 4 through holes for fixing front panels and circuit boards
LKH/M 03	86080030	With 2 M 2.5 threads for fixing of front panels and circuit boards
LKH/M 09-P	86080090	For frame-type plug-in unit IZK/M...-P, fixing to slot 1 (Included with the frame-type plug-in unit)
LKH/M 10-P	86080110	For frame-type plug-in unit IZK/M...-P, fixing to slot 2
RWH/M 01-P	86080120	Rear panel holders for cover plates for improved EMC contacting between rear panel and cover plate. Also increases stability of frame-type plug-in units.

Scope of delivery: 10 pieces. LKH/M 09-P/...10-P: 5 pairs (right/left)

Note: For mounting material for LKH/M 02 and 03, see Interzoll Modul chapter.



Mounting material for part front panels and plug-in units

Model	Order no.	Note
ISH/M 19	86080510	Plastic screwholder, PA 6, grey
ISHM/M 19	86080500	Metal screw holder, nickel-plated steel, for conductive contacting for riveting to the front panel
IRS 19	54700420	Slotted knurled screw SHR R M2.5x11.3x6.3-SP
IHS 19	54700410	Collar screws SHR Z M2.5x11.3x6.3-SP, slotted-head screw
BFS/M 1600	86000160	Collar screws, SHR Z M 2.5x12.3x6.5-SP, nickel-plated steel, recessed head screws
BFS/M 1700	86000170	Collar screws, SHR Z M 2.5x12.3x6.5-SP, nickel-plated steel, torx 8
BFS/M 2200	86000220	Knurled screw without slot, SHR R M 2.5x12.3x6.5-SPx18.3, nickel-plated steel,
BFS/M 2700	86000270	Knurled screw without slot, SHR R M 2.5x12.3x6.5-SPx25.3, anodised steel, for PF/M with long lip

Scope of delivery: IHS 19 / IRS 19 10 pieces, otherwise 20 pieces

