

BOS-Ecoline



Detailed product information can be found on www.bopla.de



- 3 profile variants
- 4 profile cross-sections
- 3 standard lengths ex warehouse
- Special lengths available at short notice
- End covers made of ABS, similar to RAL 7037
- End covers also available with moulded-on wall fitting
- Console type on request

Colour:

Profile natural-coloured anodised aluminium; plastic lid dust grey, similar to RAL 7037; special colours on request

Protection class:

IP 40/DIN EN 60529; ELP with optional seal, upgradable to IP 54/DIN EN 60529; ELPH with IP 54/DIN EN 60529 on request

Enclosure material:

Extruded profiles: Al Mg Si 0.5 anodised; plastic lid: ABS; for details see Technical Information

Clear lines and natural-coloured anodised aluminium characterise this profile enclosure



The variable lengths and profile variants closed (ELP), horizontally divided (ELPH) or open on one side (ELPU) provide the right enclosure for every application.



Recessed profile top side and profile bottom side for fitting membrane keypads up to 2 mm.



By using seal EL...DI, the protection class of profile variant ELP can be increased from IP 40 to IP 54.



ELP...D – End cover without wall fitting



ELP...DW – End cover with integrated wall fitting



All end covers have a 1.5 mm deep recessed area for fitting membrane keypads.



Screw-on bosses in the lid which are matched to the height of short-stroke keys for fitting PCBs parallel to the front surface (not with ELP 620).



The enclosure profiles are equipped with grooves to hold PCBs or mounting panels.



Components such as USB interfaces, Sub-D connectors etc. can be fitted to the flat side areas.

BOS-Ecoline 620 | Enclosures



Closed enclosure with plastic lids

Model	Order no.	A	B	C
ELP 620-0100 D	83062100.S1	57,5	22	100
ELP 620-0150 D	83062150.S1	57,5	22	150
ELP 620-0200 D	83062200.S1	57,5	22	200
ELP 620-0100 DW	83062100.S2	57,5	22	100
ELP 620-0150 DW	83062150.S2	57,5	22	150
ELP 620-0200 DW	83062200.S2	57,5	22	200

Scope of delivery: 1 enclosure profile, 2 plastic end covers, 4 screws, 4 screw covers

Note: C = profile length, special lengths on request.

D = end cover without wall bracket; DW = end cover with wall bracket



Enclosure, horizontally-divided, with plastic lids

Model	Order no.	A	B	C
ELPH 620-0100 D	83626100.S1	57,5	22	100
ELPH 620-0150 D	83626150.S1	57,5	22	150
ELPH 620-0200 D	83626200.S1	57,5	22	200
ELPH 620-0100 DW	83626100.S2	57,5	22	100
ELPH 620-0150 DW	83626150.S2	57,5	22	150
ELPH 620-0200 DW	83626200.S2	57,5	22	200

Scope of delivery: 1 enclosure profile (2 parts), 2 plastic end covers, 4 screws, 4 screw covers

Note: C = profile length, special lengths on request.

D = end cover without wall bracket; DW = end cover with wall bracket



Enclosure, open on one side, with plastic lids

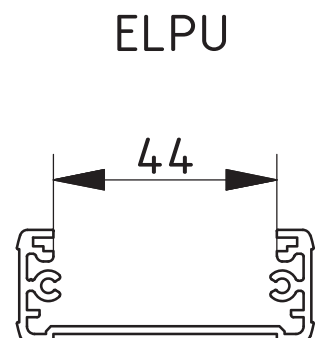
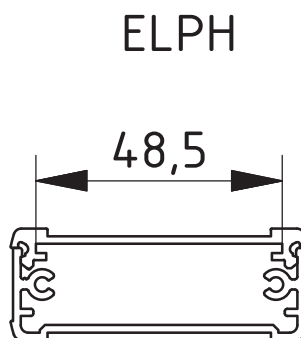
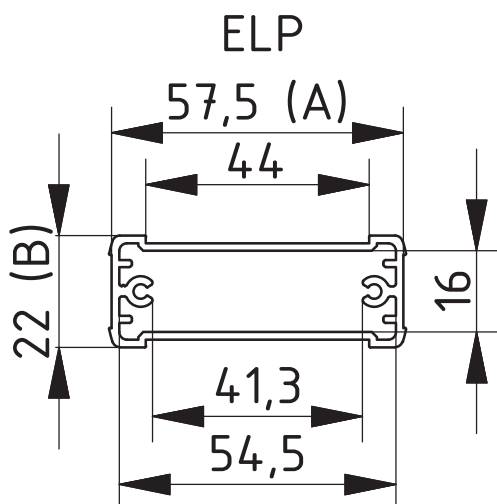
Model	Order no.	A	B	C
ELPU 620-0100 D	83627100.S1	57,5	22	100
ELPU 620-0150 D	83627150.S1	57,5	22	150
ELPU 620-0200 D	83627200.S1	57,5	22	200
ELPU 620-0100 DW	83627100.S2	57,5	22	100
ELPU 620-0150 DW	83627150.S2	57,5	22	150
ELPU 620-0200 DW	83627200.S2	57,5	22	200

Scope of delivery: 1 enclosure profile, 2 plastic end covers, 4 screws, 4 screw covers

Front panels for ELP are available as accessories

Note: C = profile length, special lengths on request.

D = end cover without wall bracket; DW = end cover with wall bracket



Z-2803210

BOS-Ecoline 840 | Enclosures

Closed enclosure with plastic lids

Model	Order no.	A	B	C
ELP 840-0100 D	83084100.S1	80	42	100
ELP 840-0150 D	83084150.S1	80	42	150
ELP 840-0200 D	83084200.S1	80	42	200
ELP 840-0100 DW	83084100.S2	80	42	100
ELP 840-0150 DW	83084150.S2	80	42	150
ELP 840-0200 DW	83084200.S2	80	42	200



Scope of delivery: 1 enclosure profile, 2 plastic end covers, 4 screws, 4 screw covers

Note: C = profile length, special lengths on request.

D = end cover without wall bracket; DW = end cover with wall bracket

Enclosure, horizontally-divided, with plastic lids

Model	Order no.	A	B	C
ELPH 840-0100 D	83846100.S1	80	42	100
ELPH 840-0150 D	83846150.S1	80	42	150
ELPH 840-0200 D	83846200.S1	80	42	200
ELPH 840-0100 DW	83846100.S2	80	42	100
ELPH 840-0150 DW	83846150.S2	80	42	150
ELPH 840-0200 DW	83846200.S2	80	42	200



Scope of delivery: 1 enclosure profile (2 parts), 2 plastic end covers, 4 screws, 4 screw covers

Note: C = profile length, special lengths on request.

D = end cover without wall bracket; DW = end cover with wall bracket

Enclosure, open on one side, with plastic lids

Model	Order no.	A	B	C
ELPU 840-0100 D	83847100.S1	80	42	100
ELPU 840-0150 D	83847150.S1	80	42	150
ELPU 840-0200 D	83847200.S1	80	42	200
ELPU 840-0100 DW	83847100.S2	80	42	100
ELPU 840-0150 DW	83847150.S2	80	42	150
ELPU 840-0200 DW	83847200.S2	80	42	200

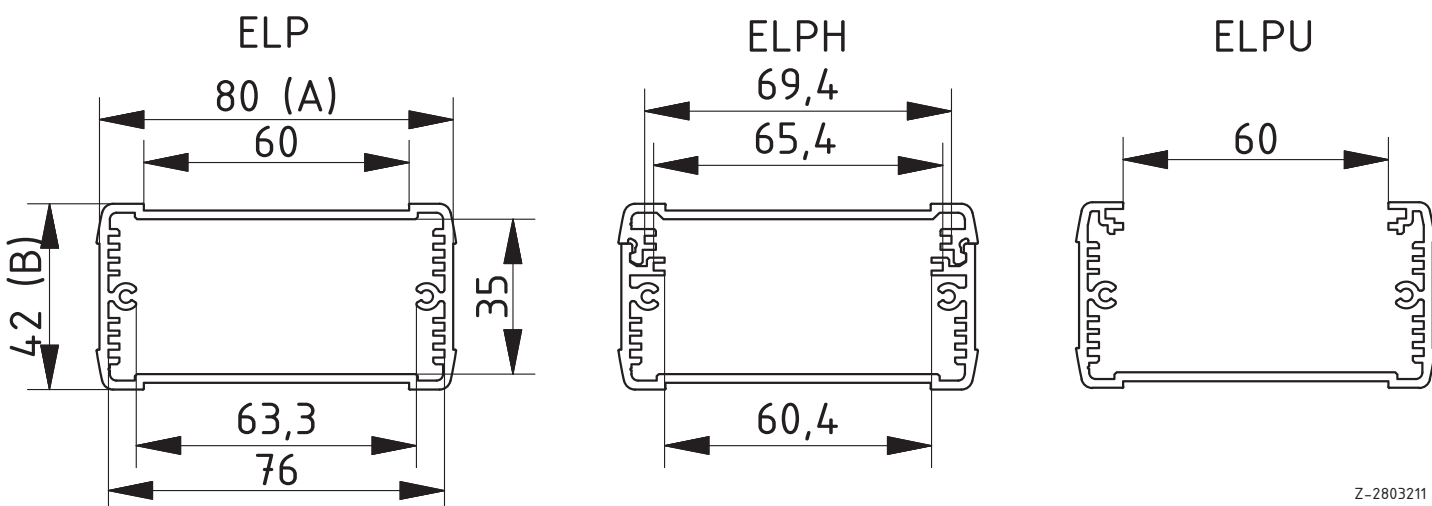


Scope of delivery: 1 enclosure profile, 2 plastic end covers, 4 screws, 4 screw covers

Front panels for ELP, ELPH and ELPD available as accessories

Note: C = profile length, special lengths on request.

D = end cover without wall bracket; DW = end cover with wall bracket



For accessories, please see the end of the chapter

BOS-Ecoline ELPH-EU 1050 | Enclosures euro card format



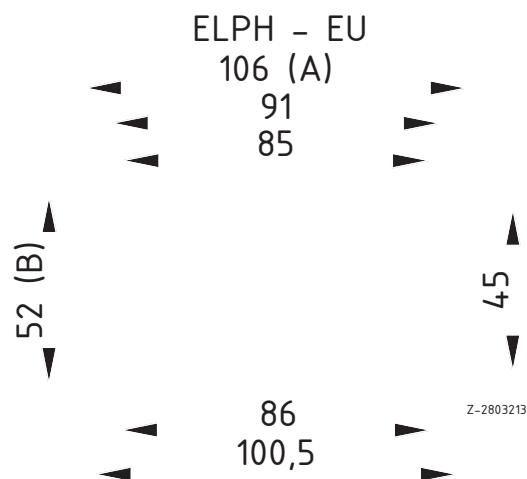
Enclosure, horizontally-divided, with plastic lids

Model	Order no.	A	B	C
ELPH-EU 1050-0100 D	83055100.S1	106	52	100
ELPH-EU 1050-0150 D	83055150.S1	106	52	150
ELPH-EU 1050-0200 D	83055200.S1	106	52	200
ELPH-EU 1050-0100 DW	83055100.S2	106	52	100
ELPH-EU 1050-0150 DW	83055150.S2	106	52	150
ELPH-EU 1050-0200 DW	83055200.S2	106	52	200

Scope of delivery: 1 enclosure profile (2 parts), 2 plastic end covers, 4 screws, 4 screw covers

Note: C = profile length, special lengths on request.

D = end cover without wall bracket; DW = end cover with wall bracket



* = Available on request

BOS-Ecoline 1050 | Enclosures

Closed enclosure with plastic lids

Model	Order no.	A	B	C
ELP 1050-0100 D	83105100.S1	106	52	100
ELP 1050-0150 D	83105150.S1	106	52	150
ELP 1050-0200 D	83105200.S1	106	52	200
ELP 1050-0100 DW	83105100.S2	106	52	100
ELP 1050-0150 DW	83105150.S2	106	52	150
ELP 1050-0200 DW	83105200.S2	106	52	200

Scope of delivery: 1 enclosure profile, 2 plastic end covers, 4 screws, 4 screw covers

Note: C = profile length, special lengths on request.

D = end cover without wall bracket; DW = end cover with wall bracket



Enclosure, horizontally-divided, with plastic lids

Model	Order no.	A	B	C
ELPH 1050-0100 D	83056100.S1	106	52	100
ELPH 1050-0150 D	83056150.S1	106	52	150
ELPH 1050-0200 D	83056200.S1	106	52	200
ELPH 1050-0100 DW	83056100.S2	106	52	100
ELPH 1050-0150 DW	83056150.S2	106	52	150
ELPH 1050-0200 DW	83056200.S2	106	52	200

Scope of delivery: 1 enclosure profile (2 parts), 2 plastic end covers, 4 screws, 4 screw covers

Note: C = profile length, special lengths on request.

D = end cover without wall bracket; DW = end cover with wall bracket



Enclosure, open on one side, with plastic lids

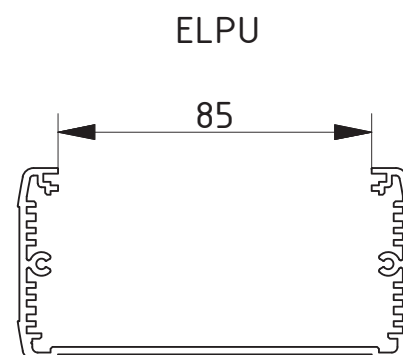
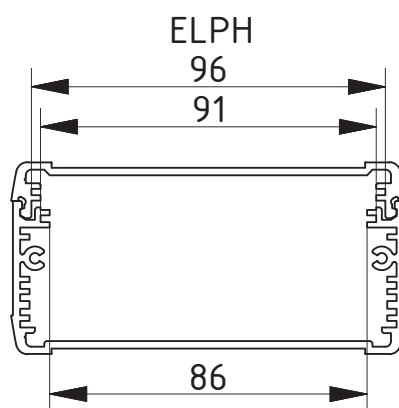
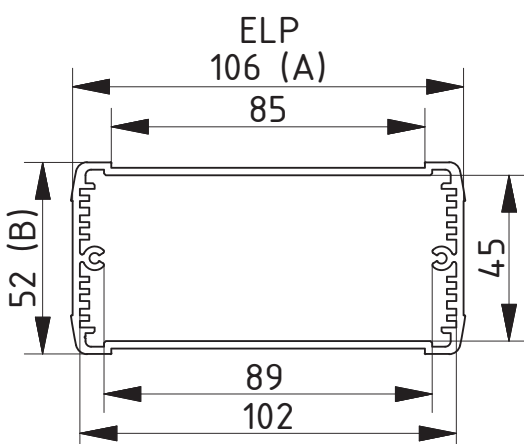
Model	Order no.	A	B	C
ELPU 1050-0100 D	83057100.S1	106	52	100
ELPU 1050-0150 D	83057150.S1	106	52	150
ELPU 1050-0200 D	83057200.S1	106	52	200
ELPU 1050-0100 DW	83057100.S2	106	52	100
ELPU 1050-0150 DW	83057150.S2	106	52	150
ELPU 1050-0200 DW	83057200.S2	106	52	200

Scope of delivery: 1 enclosure profile, 2 plastic end covers, 4 screws, 4 screw covers

Front panels for ELPU available as accessories

Note: C = profile length, special lengths on request.

D = end cover without wall bracket; DW = end cover with wall bracket



BOS-Ecoline 1240 | Enclosures



Closed enclosure with plastic lids

Model	Order no.	A	B	C
ELP 1240-0100 D	83124100.S1	120	42	100
ELP 1240-0150 D	83124150.S1	120	42	150
ELP 1240-0200 D	83124200.S1	120	42	200
ELP 1240-0100 DW	83124100.S2	120	42	100
ELP 1240-0150 DW	83124150.S2	120	42	150
ELP 1240-0200 DW	83124200.S2	120	42	200

Scope of delivery: 1 enclosure profile, 2 plastic end covers, 4 screws, 4 screw covers

Note: C = profile length, special lengths on request.

D = end cover without wall bracket; DW = end cover with wall bracket



Enclosure, horizontally-divided, with plastic lids

Model	Order no.	A	B	C
ELPH 1240-0100 D	83246100.S1	120	42	100
ELPH 1240-0150 D	83246150.S1	120	42	150
ELPH 1240-0200 D	83246200.S1	120	42	200
ELPH 1240-0100 DW	83246100.S2	120	42	100
ELPH 1240-0150 DW	83246150.S2	120	42	150
ELPH 1240-0200 DW	83246200.S2	120	42	200

Scope of delivery: 1 enclosure profile (2 parts), 2 plastic end covers, 4 screws, 4 screw covers

Note: C = profile length, special lengths on request.

D = end cover without wall bracket; DW = end cover with wall bracket



Enclosure, open on one side, with plastic lids

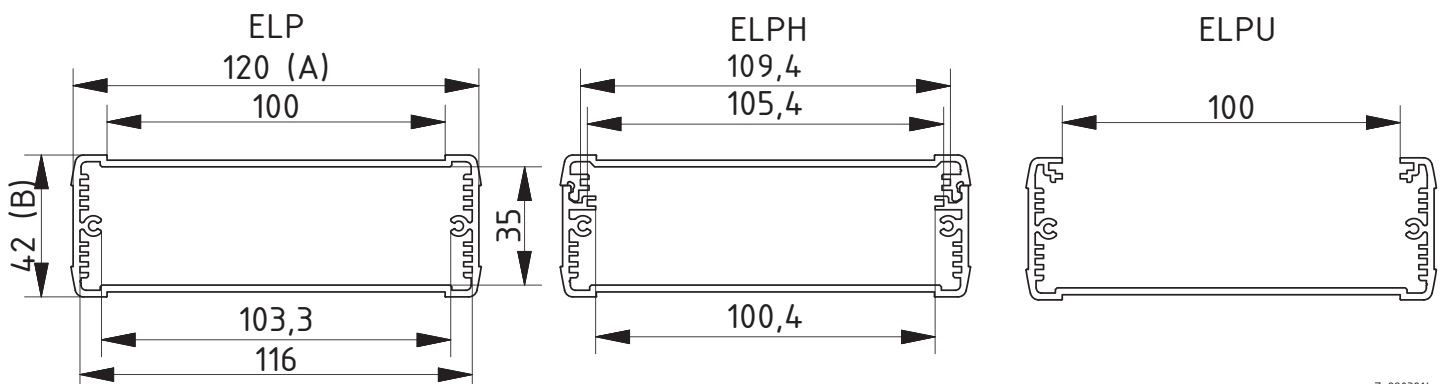
Model	Order no.	A	B	C
ELPU 1240-0100 D	83247100.S1	120	42	100
ELPU 1240-0150 D	83247150.S1	120	42	150
ELPU 1240-0200 D	83247200.S1	120	42	200
ELPU 1240-0100 DW	83247100.S2	120	42	100
ELPU 1240-0150 DW	83247150.S2	120	42	150
ELPU 1240-0200 DW	83247200.S2	120	42	200

Scope of delivery: 1 enclosure profile, 2 plastic end covers, 4 screws, 4 screw covers

Front panels for ELP/ELPH available as accessories

Note: C = profile length, special lengths on request.

D = end cover without wall bracket; DW = end cover with wall bracket



BOS-Ecoline | Accessories

Seals for ingress protection IP 54, sponge rubber

Model	Order no.	Note
EL 620 DI	83206210	For ELP(H) 620
EL 840 DI	83208410	For ELP(H) 840
EL 1050 DI	83210510	For ELP(H) 1050
EL 1240 DI	83212410	For ELP(H) 1240

Scope of delivery: 10 seals

Note: Not with ELPU; IP 54 protection with ELPH on request



Front panels, natural-coloured anodised aluminium

Model	Order no.	Note
ELPU 620-0100 FP1,5	83628100	For ELP(U) 620-0100, 1,5 mm
ELPU 620-0150 FP1,5	83628150	For ELP(U) 620-0150, 1,5 mm
ELPU 620-0200 FP1,5	83628200	For ELP(U) 620-0200, 1,5 mm
ELPU 840-0100 FP2	83848100	For ELP(U) 840-0100, 2 mm
ELPU 840-0150 FP2	83848150	For ELP(U) 840-0150, 2 mm
ELPU 840-0200 FP2	83848200	For ELP(U) 840-0200, 2 mm
ELPU 1050-0100 FP2	83058100	For ELP(U) 1050(-EU)-0100, 2 mm
ELPU 1050-0150 FP2	83058150	For ELP(U) 1050(-EU)-0150, 2 mm
ELPU 1050-0200 FP2	83058200	For ELP(U) 1050(-EU)-0200, 2 mm
ELPU 1240-0100 FP2	83248100	For ELP(U) 1240-0100, 2 mm
ELPU 1240-0150 FP2	83248150	For ELP(U) 1240-0150, 2 mm
ELPU 1240-0200 FP2	83248200	For ELP(U) 1240-0200, 2 mm

Scope of delivery: 1 front panel

